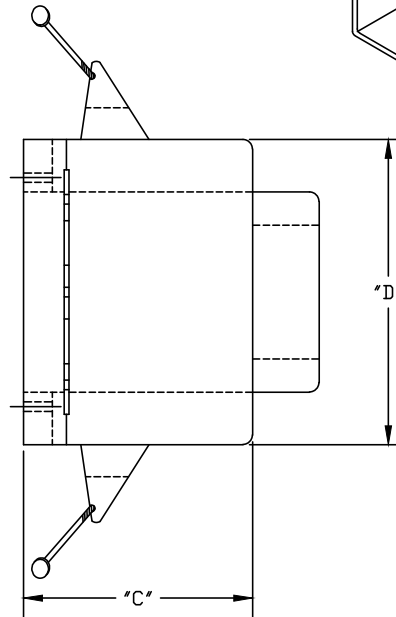
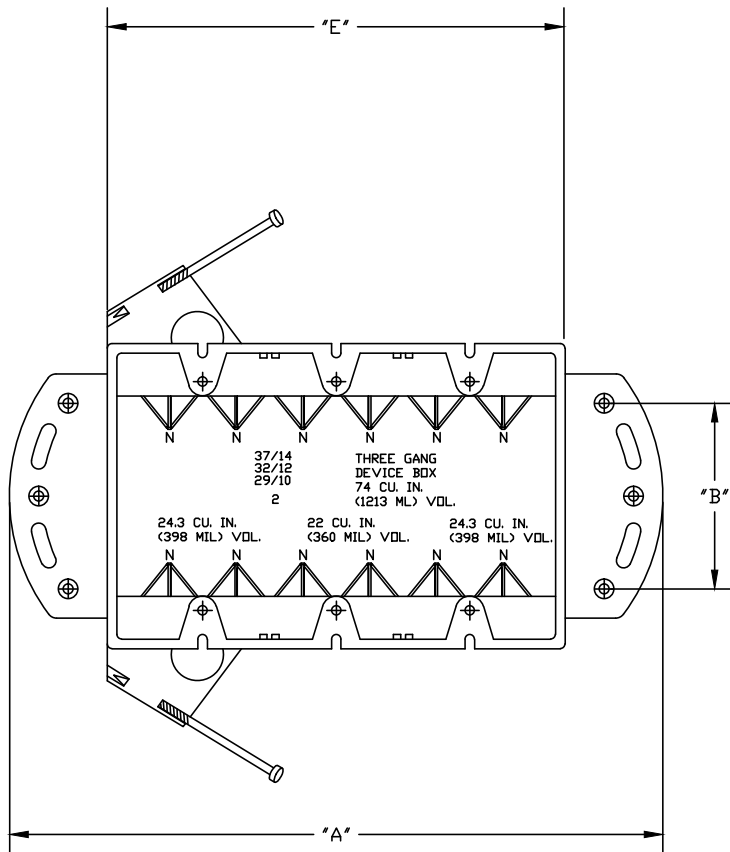
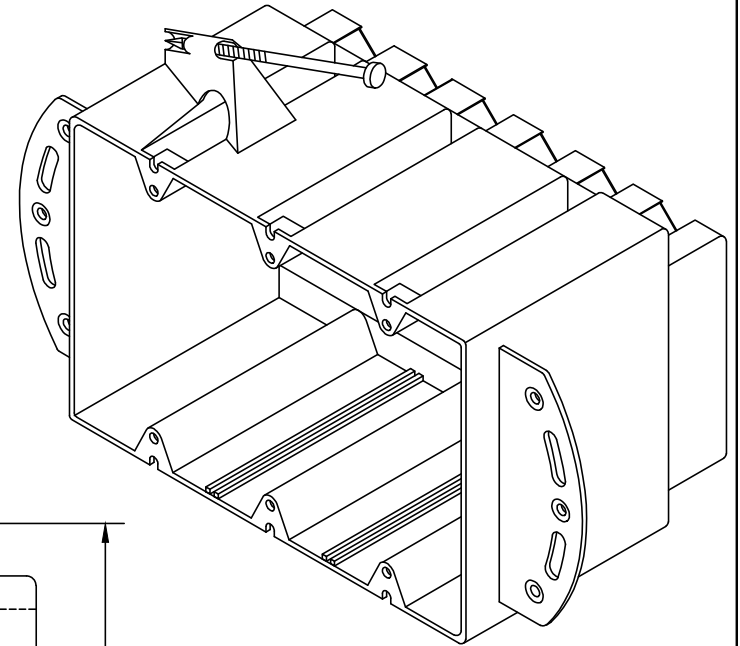


PART NUMBER	SIZE	"A"	"B"	"C"	"D"	"E"
EZ74TNZ	5 7/8" X 3 7/8" X 3 7/8" Enhanced angled nails for quick mounting between studs Twelve clamps	8.450"	2.569"	3.060"	4.030"	6.0"



ETL Listed
 Conforms to UL Std. 514C
 2-HR Fire Wall Rating
 ETL Control # 3107144
 Suitable for Masonry Walls
 Material is Rigid PVC
 All dimensions are nominal
 See NEC Article 314 for use



CANTEX
 INC.
 Fort Worth, TEXAS

Three gang wall box with screw-nails
 Three Gang EZ Box 74 Cu. In. Nail On

Drawn By: D. Gwinn

Date: 3/21/18

Ref. EZ74TNZ