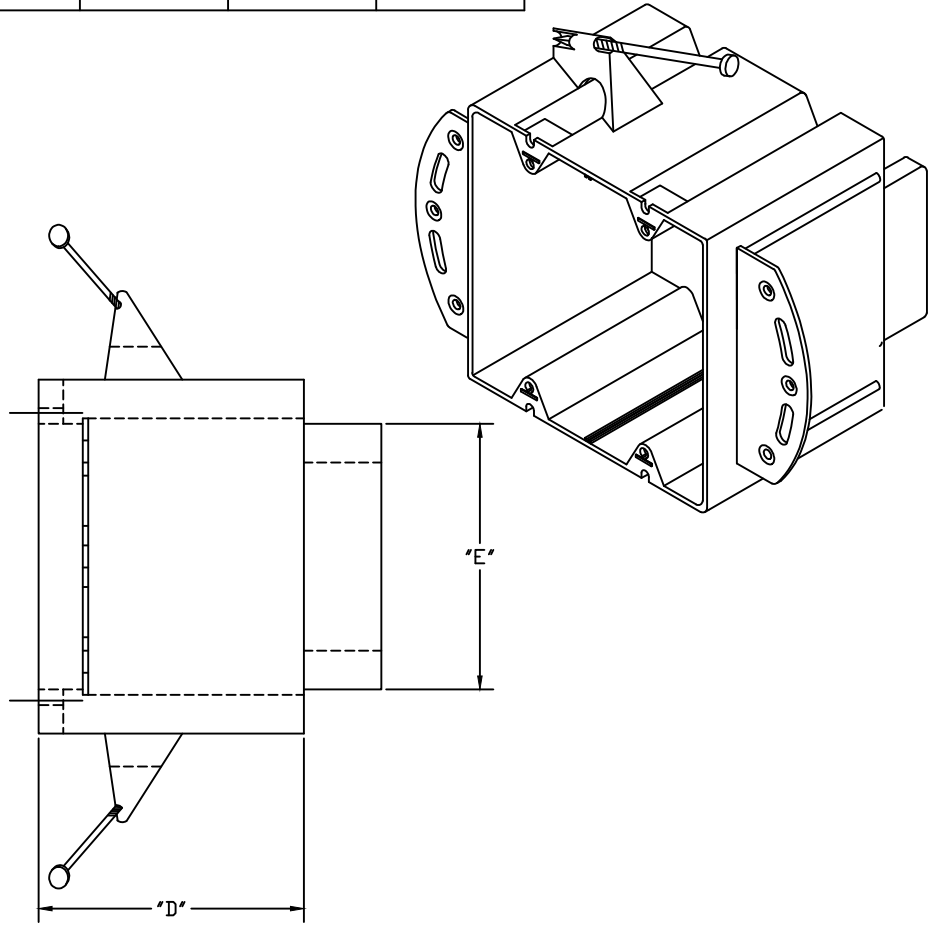
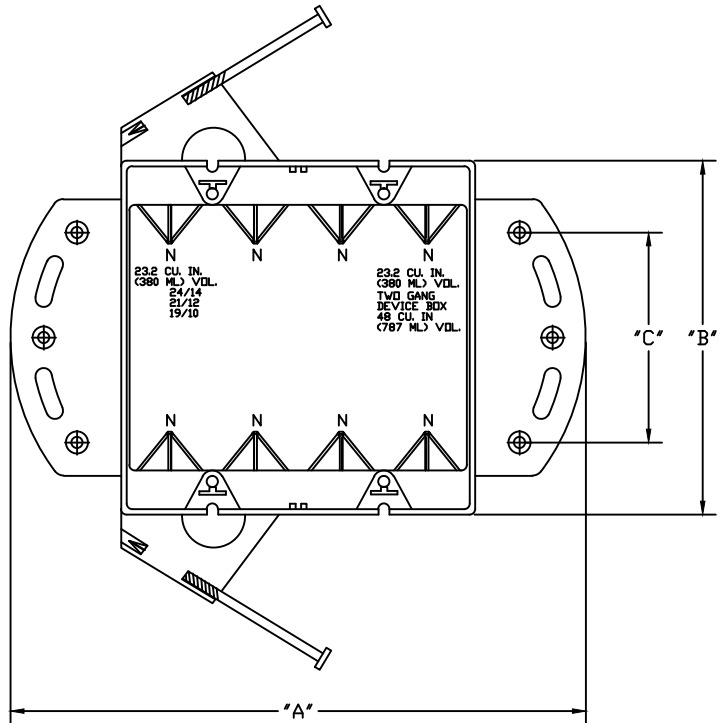


| PART NUMBER | SIZE | "A" | "B" | "C" | "D" | "E" |
|-------------|--|---------|-----|--------|-----|--------|
| EZ48DNZU | 3 7/8" X 3 7/8" X 3 7/8" Enhanced angled screw nails for quick mounting between studs eight clamps | 6 1/16" | 4" | 2 5/8" | 3" | 2 7/8" |



UL Listed
 UL File # R18795 & E98429
 UL Category Code CEYY, QBWY & QCMZ
 UL Control Number 39N9
 UL 2 Hour Wall Fire Rated
 Suitable for Masonry Walls
 Material is Rigid PVC



| | | |
|---|---------------|---------------|
| CANTEX INC. Fort Worth, TEXAS | | |
| 48 Cubic inch Nail On - Express Clip Multi-Gang Nonmetallic Max Capacity Boxes | | |
| Drawn By: O.M. | Date: 7/17/17 | Ref. EZ48DNZU |