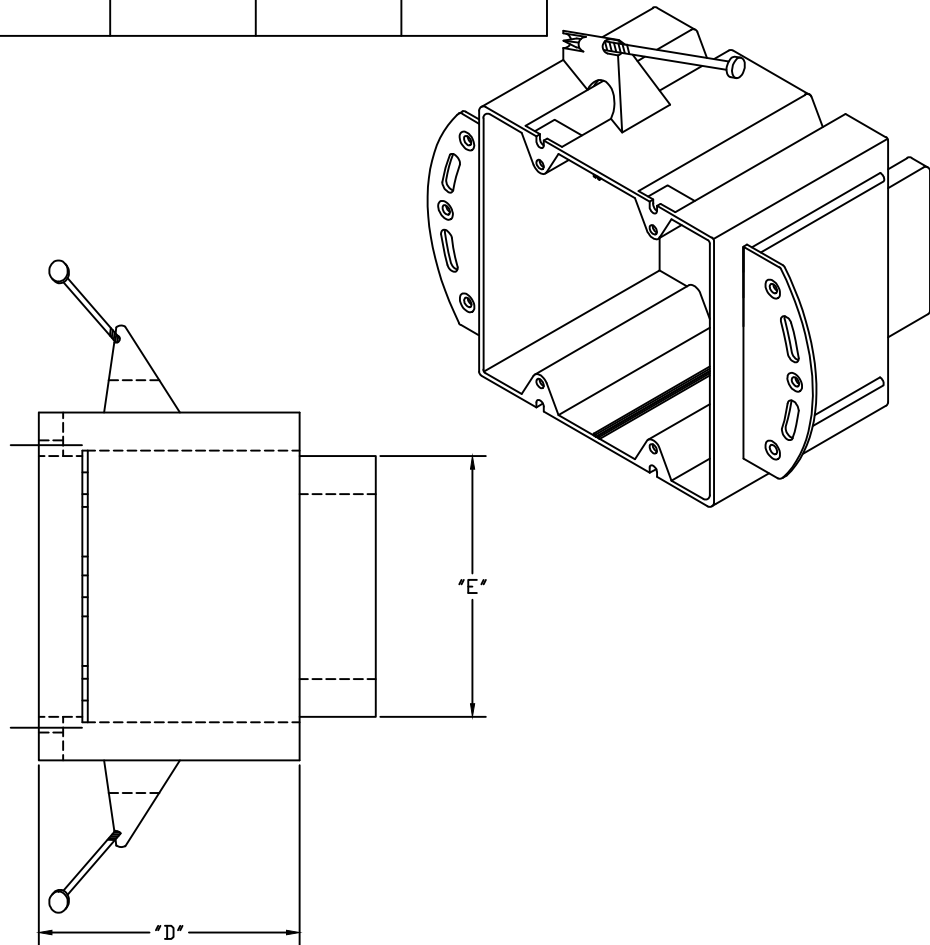
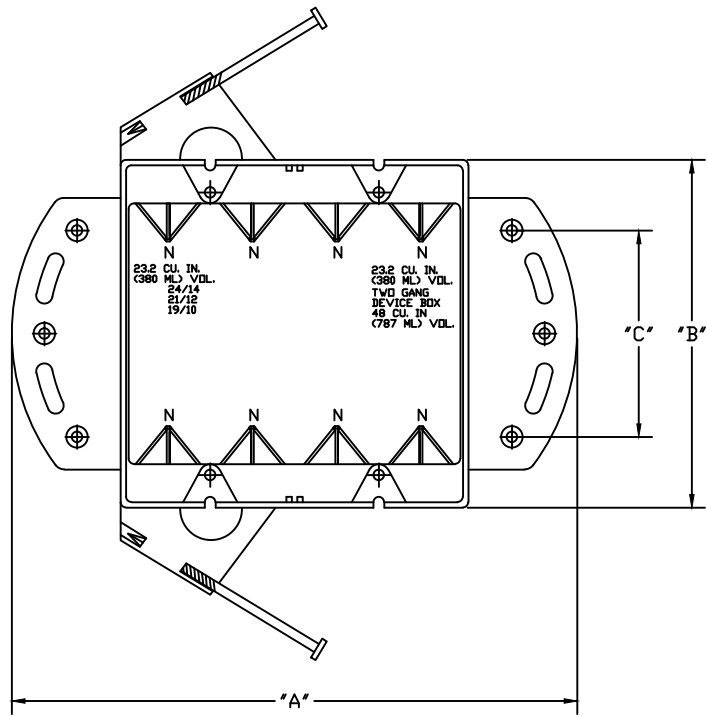


PART NUMBER	SIZE	"A"	"B"	"C"	"D"	"E"
EZ48DNZ	3 7/8" X 3 7/8" X 3 7/8" Enhanced angled screw nails for quick mounting between studs eight clamps	6 1/16"	4"	2 5/8"	3"	2 7/8"



ETL Listed
 Conforms to UL Std. 514C
 2-HR Fire Wall Rating
 ETL Control # 3107144
 Suitable for Masonry Walls
 Material is Rigid PVC
 All dimensions are nominal
 See NEC Article 314 for use



CANTEX
 INC.
 Fort Worth, TEXAS

48 Cubic Inch Screw-Nail On
 Multi-Gang Nonmetallic Max Capacity Boxes

Drawn By: D. Gwinn

Date: 3/21/18

Ref. EZ48DNZ