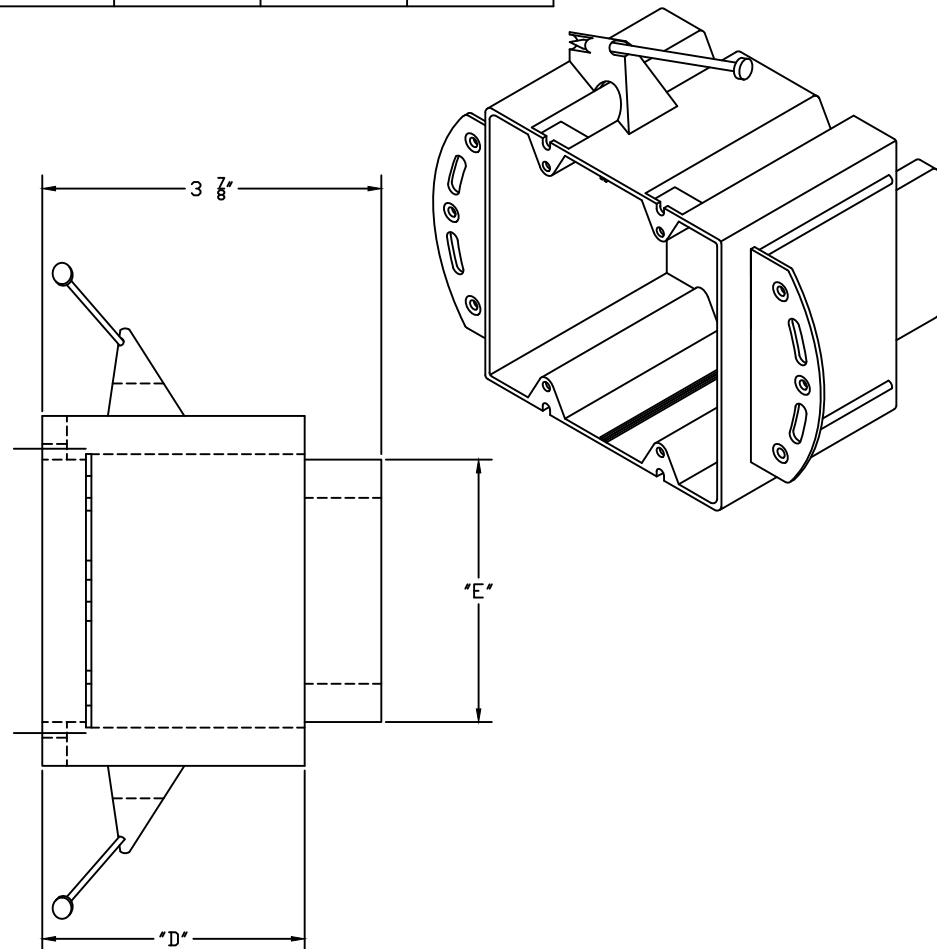
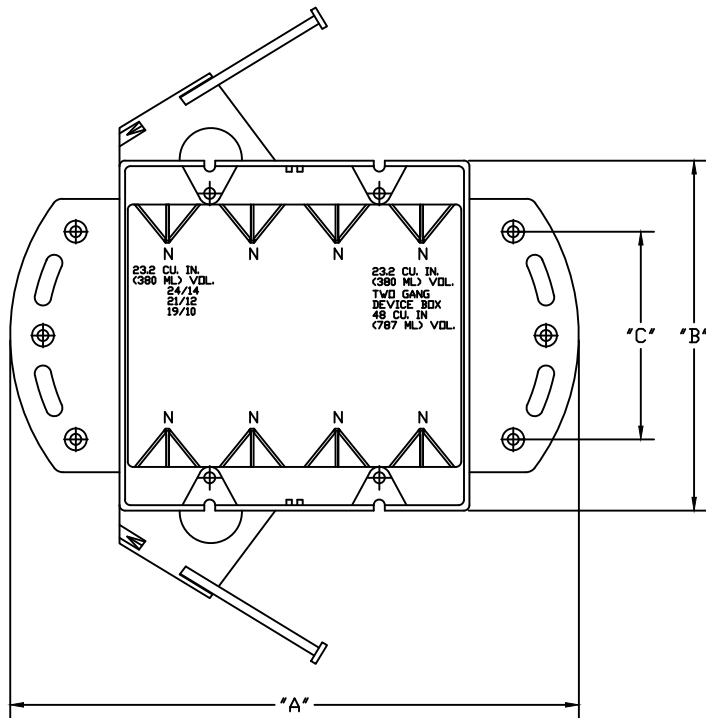


PART NUMBER	SIZE	"A"	"B"	"C"	"D"	"E"
EZ48DN	3 7/8" X 3 7/8" X 3 7/8" Enhanced angled nails for quick mounting between studs eight clamps	6 1/16"	4"	2 5/8"	3"	2 7/8"



ETL Listed  
 Conforms to UL Std. 514C  
 2-HR Fire Wall Rating  
 ETL Control # 3107144  
 Suitable for Masonry Walls  
 Material is Rigid PVC  
 All dimensions are nominal  
 See NEC Article 314 for use



<b>CANTEX</b> INC. Fort Worth, TEXAS		
48 Cubic inch Nail On Multi-Gang Nonmetallic Max Capacity Boxes		
Drawn By: D. Gwinn	Date: 7/13/21	Ref. EZ48DN