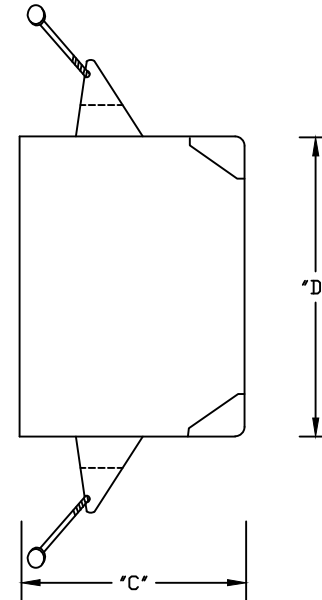
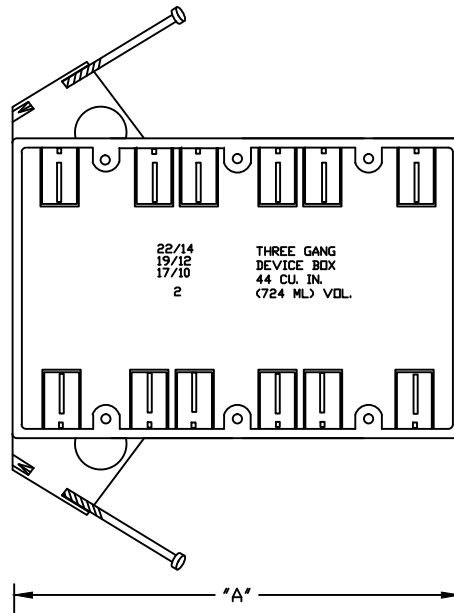


PART NUMBER	SIZE	"A"	"B"	"C"	"D"
EZ44TNZ	5 7/8" X 3 7/8" X 3 7/8" Enhanced angled screw nails for quick mounting between studs Twelve clamps	5.8"	3.7"	2.75"	3.7"



ETL Listed
 Conforms to UL Std. 514C
 2-HR Fire Wall Rating
 ETL Control # 3107144
 Suitable for Masonry Walls
 Material is Rigid PVC
 All dimensions are nominal
 See NEC Article 314 for use



CANTEX
 INC.
 Fort Worth, TEXAS

3-Gang Screw Nail On with Cable Clamps

Drawn By: D. Gwinn

Date: 3/21/18

Ref. EZ44TNZ