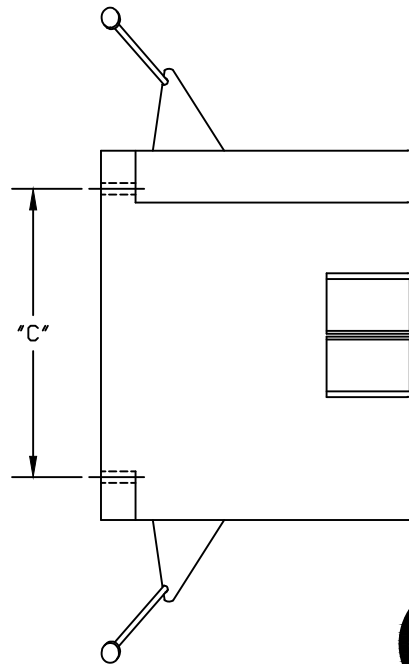
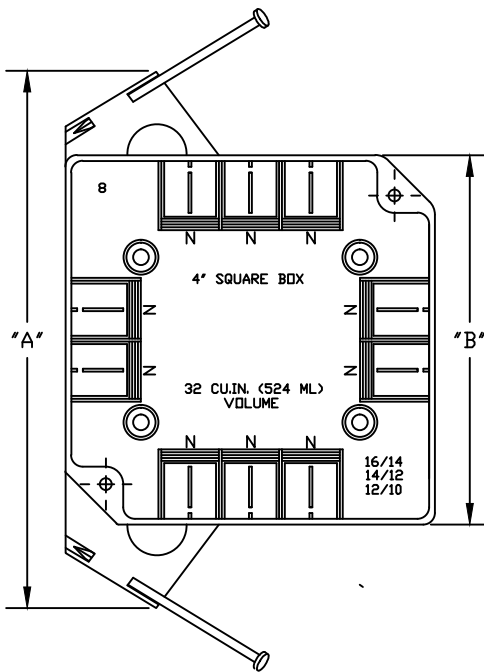
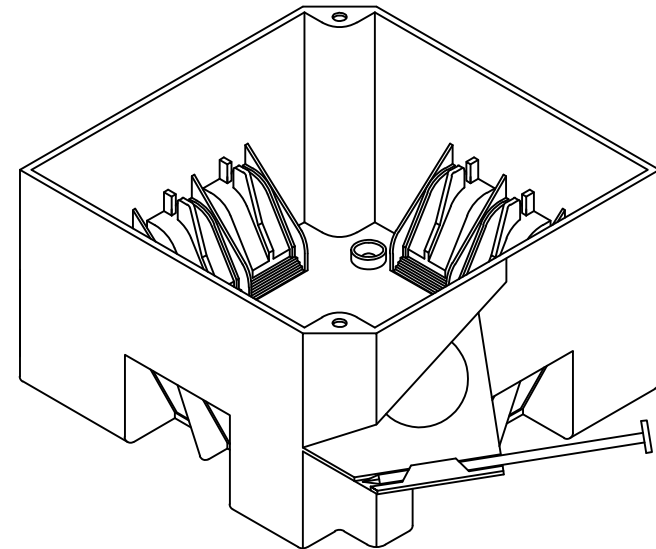


PART NUMBER	SIZE	"A"	"B"	"C"
EZ32XN	4" X 4" X 2 5/8" Enhanced angled nails for quick mounting between studs Ten clamps	6"	4"	4 3/4"
EZ32XNR	4" X 4" X 2 5/8" Enhanced angled nails for quick mounting between studs Ten clamps	6"	4"	4 3/4"



ETL Listed  
 Conforms to UL Std. 514C  
 2-HR Fire Wall Rating  
 ETL Control # 3107144  
 Suitable for Masonry Walls  
 Material is Rigid PVC  
 All dimensions are nominal



<b>CANTEX</b> INC. Fort Worth, TEXAS		
<b>Four Sq. EZ Box 32 Cubic Inch, Nail On</b>		
Drawn By: D. Gwinn	Date: 3/21/18	Ref. EZ32XN