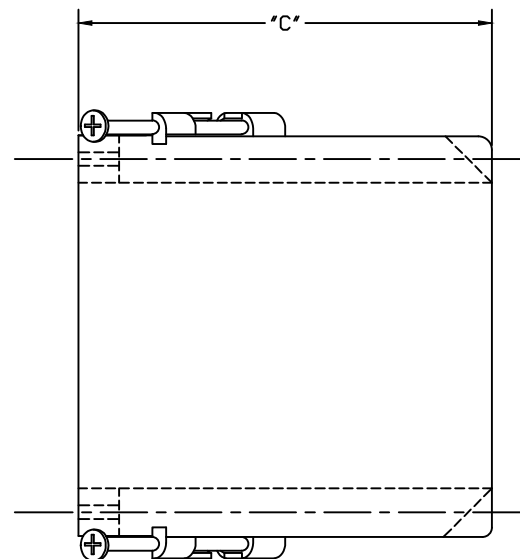
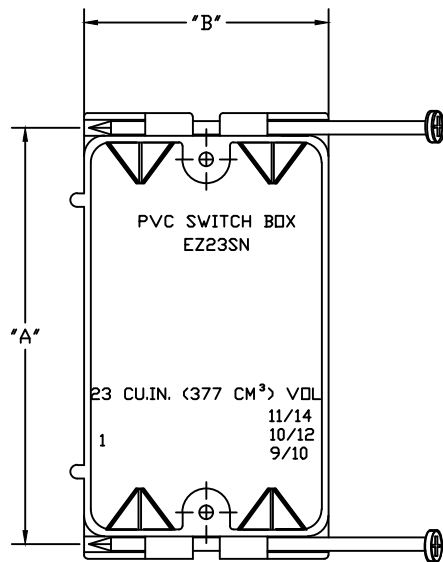
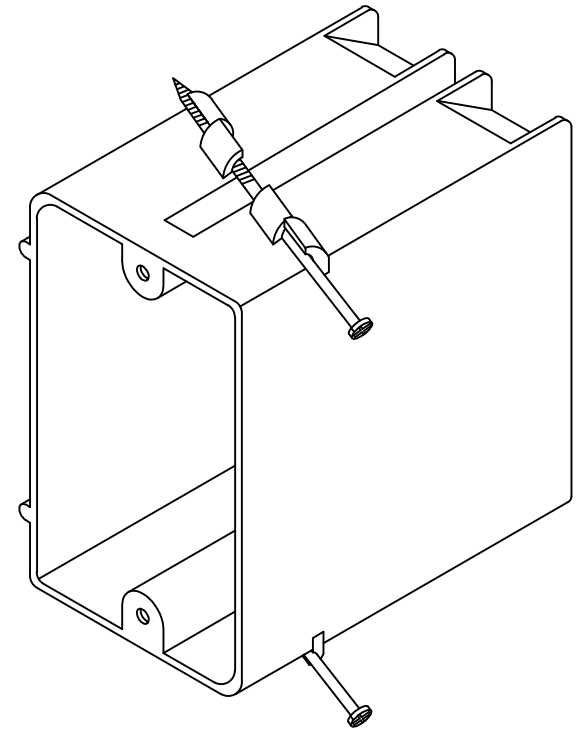


PART NUMBER	SIZE	"A"	"B"	"C"
EZ23SNZ	2 ¼" X 3 ⅝" X 3 ½" Four cable clamps Enhanced angled screw-nails for quick mounting between studs	3 ⅞"	2 ⅜"	3 ½"



ETL Listed
 Conforms to UL Std. 514C
 2-HR Fire Wall Rating
 ETL Control # 3107144
 Suitable for Masonry Walls
 Material is Rigid PVC



CANTEX
 INC.
 Fort Worth, TEXAS

Single Gang EZ Box 23 Cubic Inch, w/ Screw-Nail

Drawn By: D. Gwinn

Date: 4/12/18

Ref. EZ23SNZ