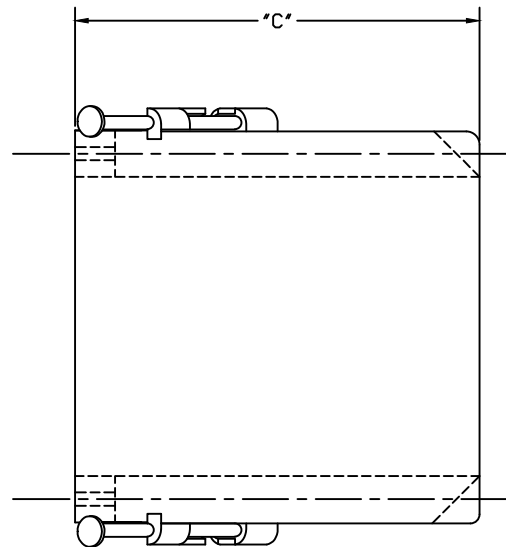
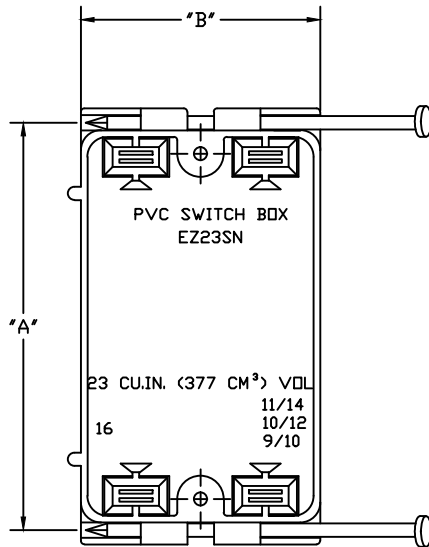
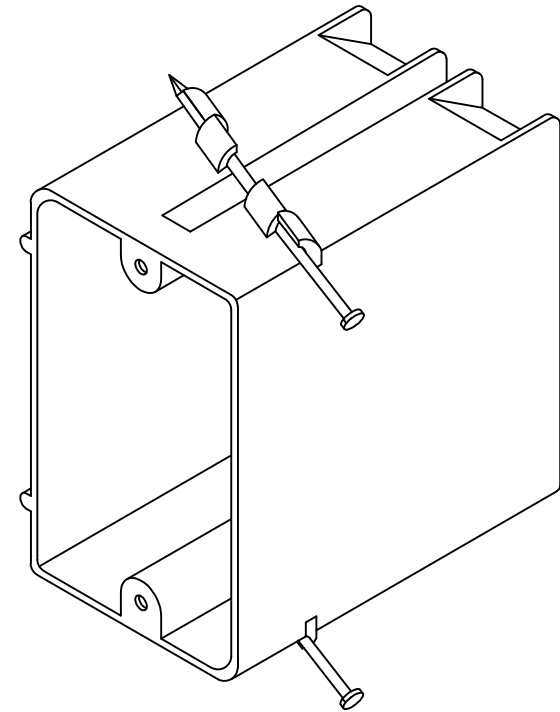


PART NUMBER	SIZE	"A"	"B"	"C"
EZ23SNW	2 ¼" X 3 ⅝" X 3 ½" four knockouts Enhanced angled nails for quick mounting between studs	3 ⅞"	2 ⅜"	3 ½"



ETL Listed
 Conforms to UL Std. 514C
 2-HR Fire Wall Rating
 ETL Control # 3107144
 Suitable for Masonry Walls
 Material is Rigid PVC



CANTEX
 INC.
 Fort Worth, TEXAS

Single Gang EZ Box 23 Cubic Inch, Nail On
 Single Gang Nonmetallic Nail On Boxes

Drawn By: D. Gwinn

Date: 3/20/18

Ref. EZ23SNW