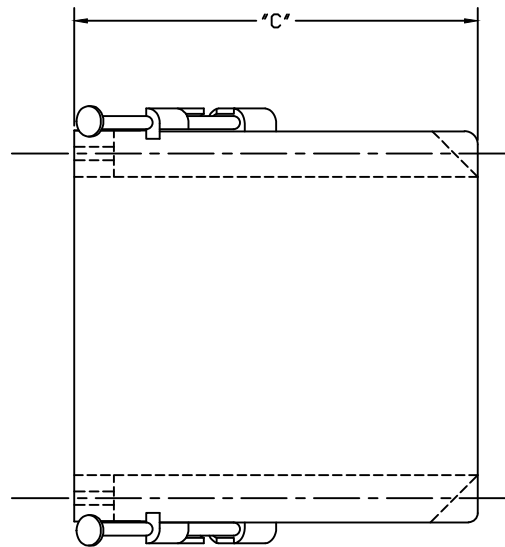
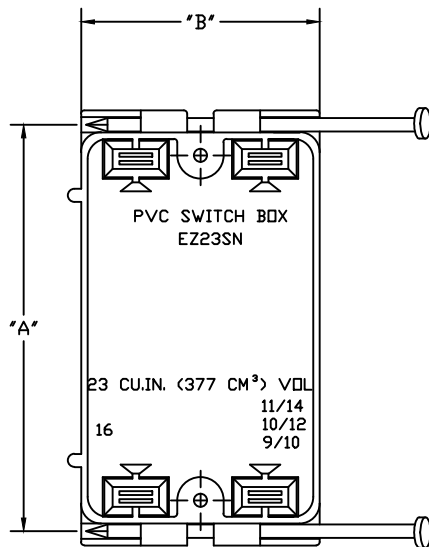
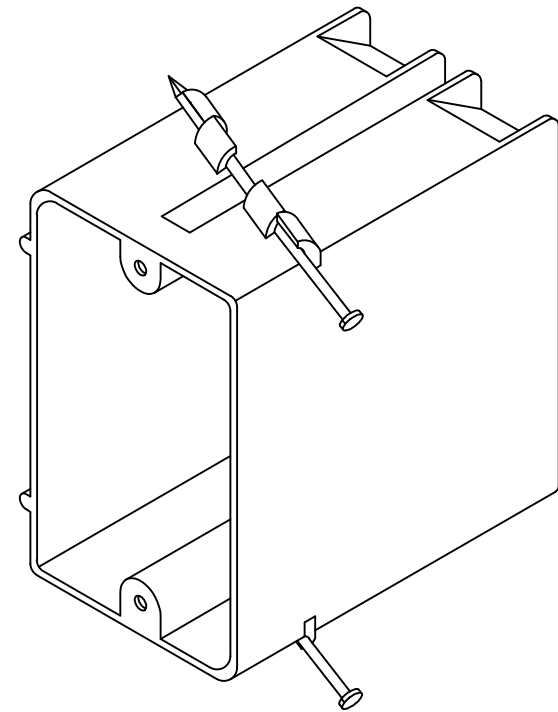


PART NUMBER	SIZE	"A"	"B"	"C"
EZ23SNA	2 ¼" X 3 ⅝" X 3 ½" four knockouts Enhanced angled nails for quick mounting between studs	3 ⅞"	2 ⅜"	3 ½"



ETL Listed  
 Conforms to UL Std. 514C  
 2-HR Fire Wall Rating  
 ETL Control # 3107144  
 Suitable for Masonry Walls  
 Material is Rigid PVC - Red



**CANTEX**  
 INC.  
 Fort Worth, TEXAS

Red Single Gang EZ Box 23 Cubic In. Nail On  
 Single Gang Nonmetallic Nail On Boxes

Drawn By: D. Gwinn

Date: 3/20/18

Ref. EZ23SNA