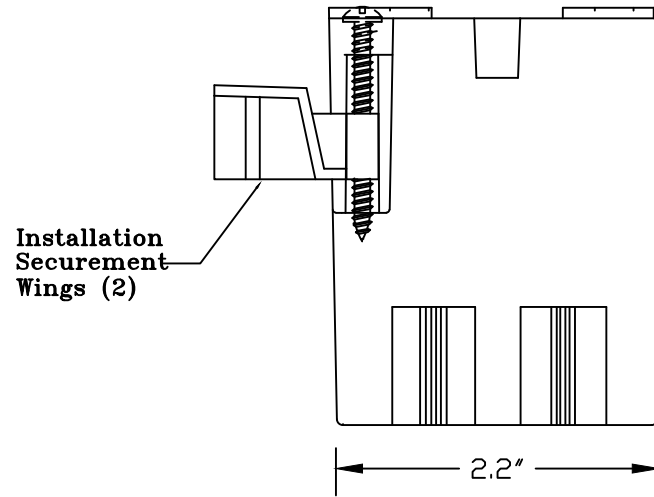
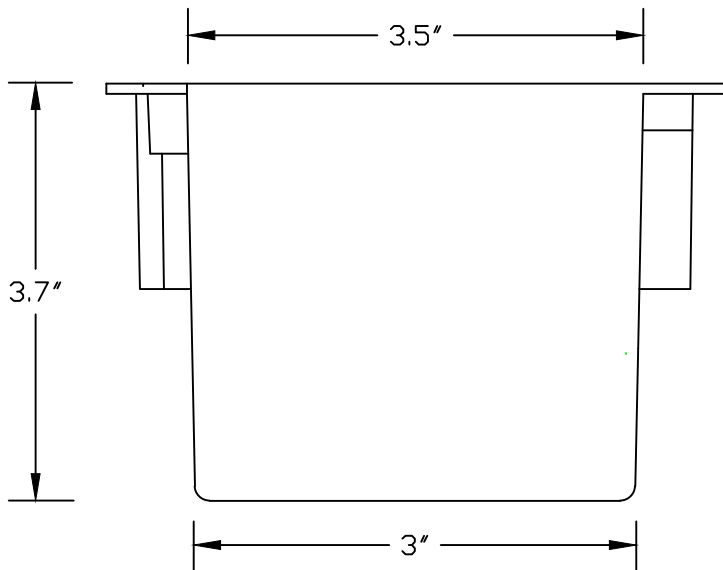


Top View



End View



Side View

UL Listed File # E98429
 UL Category Code QCMZ
 Material is Rigid PVC
 Suitable for Masonry Walls
 See NEC Article 314 for use



CANTEX
 INC.
 Fort Worth, TEXAS

Single Gang EZ BOX 21 CU. IN. Old Work
 P/N - EZ21S0

Drawn by: O.M.

DATE: 5/22/17

Ref. EZ21S0