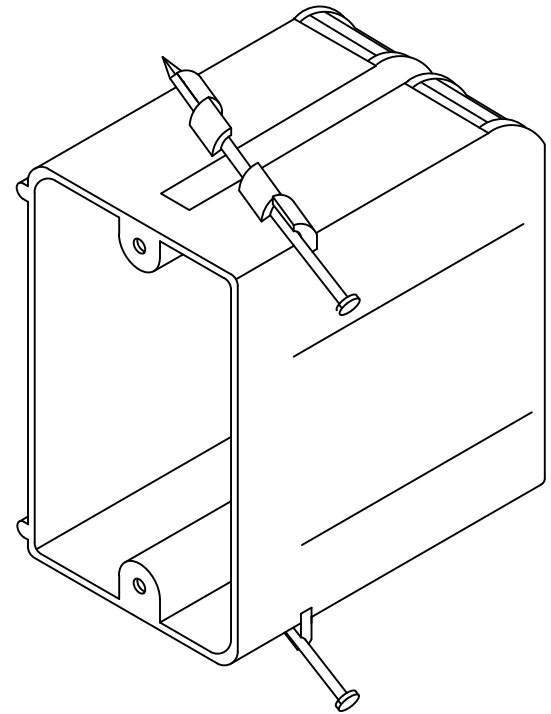
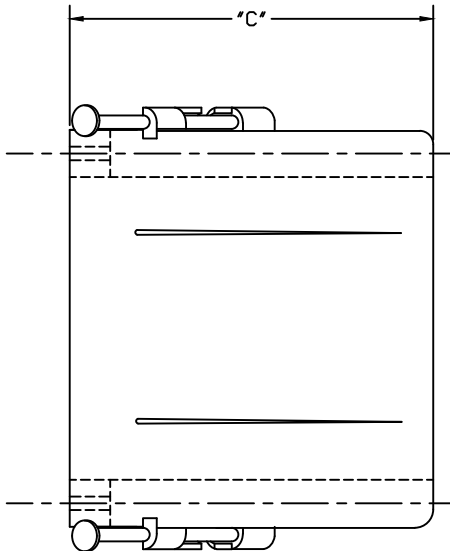
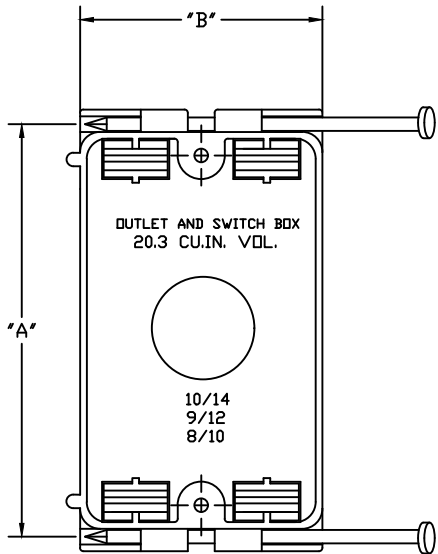


PART NUMBER	SIZE	"A"	"B"	"C"
EZ20SNWZ	Four knockouts Enhanced angled Screw-nails for quick mounting between studs	3.84"	2.37"	3.12"



ETL Listed
 Conforms to UL Std. 514C
 2-HR Fire Wall Rating
 Suitable for Masonry Walls
 Material is Rigid PVC
 All dimensions are nominal

NOTE: When using this box, the cable must be fastened to the structure within 8 inches (200 mm) of the box as measured along the sheath to comply with the Exception to 314.17(C) of the National Electrical Code, NFPA 70



CANTEX
 INC.
 Fort Worth, TEXAS

Single Gang EZ Box 20.3 Cubic Inch, Screw-Nail
 Single Gang Nonmetallic

Drawn By: D. Gwinn

Date: 7/14/21

Ref. EZ20SNWZ