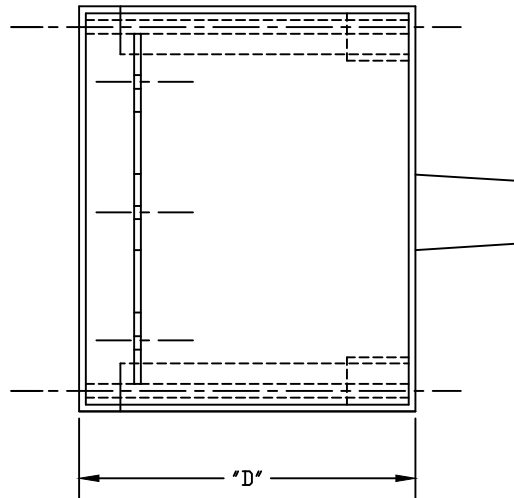
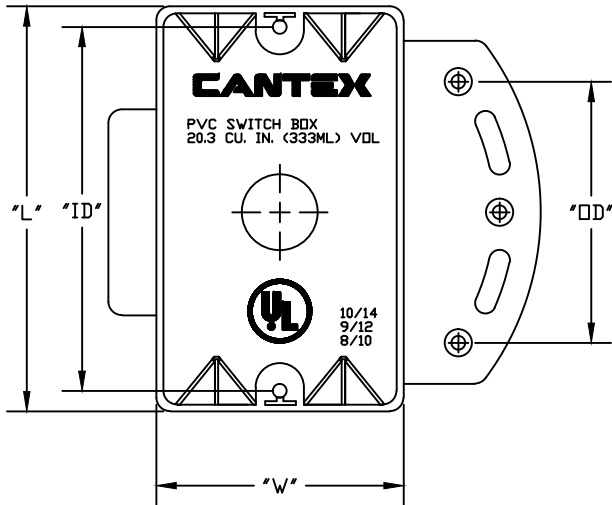
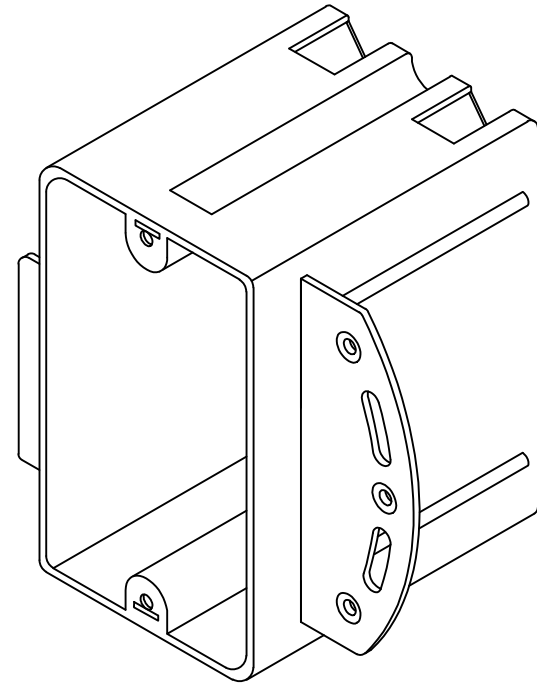


PART NUMBER	"D"	"L"	"ID"	"OD"	"W"
EZ20SBU	3 3/16"	3 1/16"	3 1/4"	2 3/8"	2 1/4"

ETL Listed
 Conforms to UL Std. 514C
 2-HR Fire Wall Rating
 ETL Control # 3107144
 Suitable for Masonry Walls
 Material is Rigid PVC
 See NEC Article 314 for use



CANTEX
 INC.
 Fort Worth, TEXAS

Single Gang EZ Box 20 cubic Inch
 Express Clip PVC Steel Stud Box

Drawn By: D. Gwinn

Date: 3/20/18

Ref. EZ20SBU