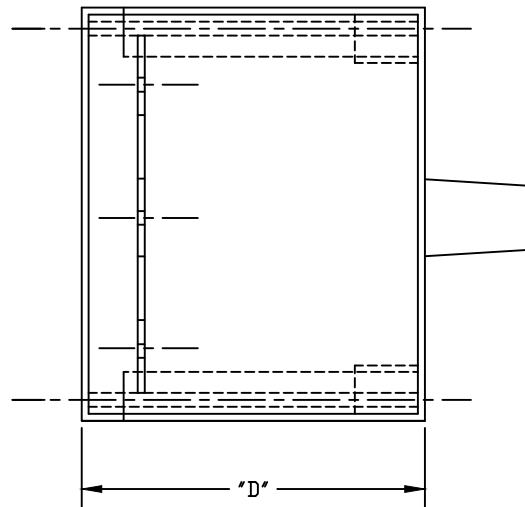
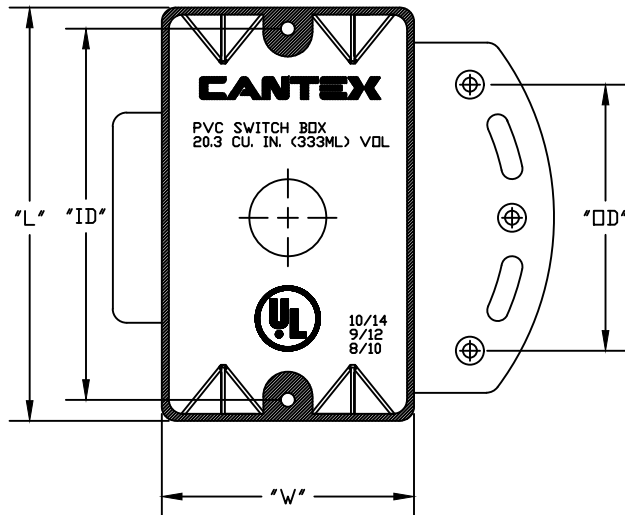
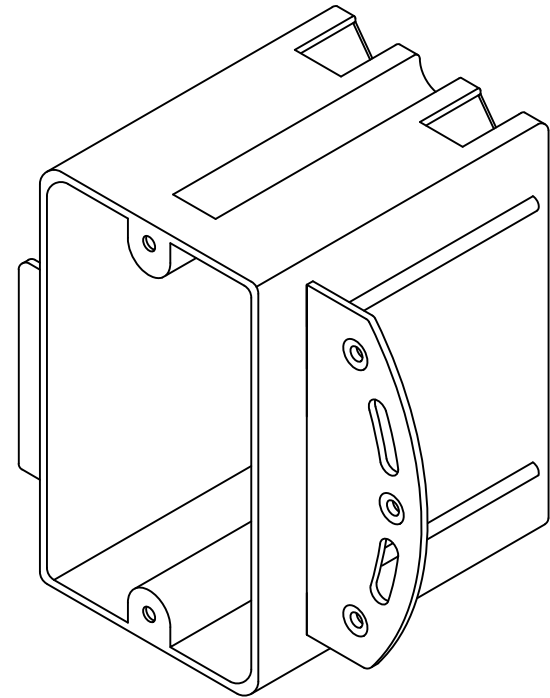


PART NUMBER	"D"	"L"	"ID"	"OD"	"W"
EZ20SB	3 $\frac{3}{16}$ "	3 $\frac{11}{16}$ "	3 $\frac{1}{4}$ "	2 $\frac{3}{8}$ "	2 $\frac{1}{4}$ "

UL Listed  
 UL File #E98429 & R18795  
 UL Category Codes QCMZ, QBWY, CEYY  
 UL Control Number 39N9  
 Conforms to UL Std. 514C  
 2-HR Fire Wall Rating  
 Suitable for Masonry Walls  
 Material is Rigid PVC  
 See NEC Article 314 for use



**CANTEX**  
 INC.  
 Fort Worth, TEXAS

Single Gang 20 Cu. In. EZ Box  
 with Molded Bracket for Steel Studs

Drawn By: D. Gwinn

Date: 10/12/20

Ref. EZ20SB