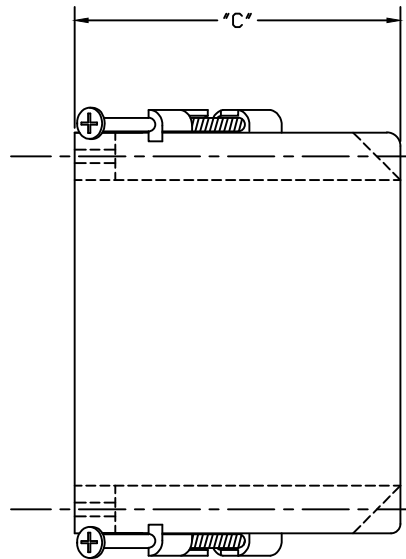
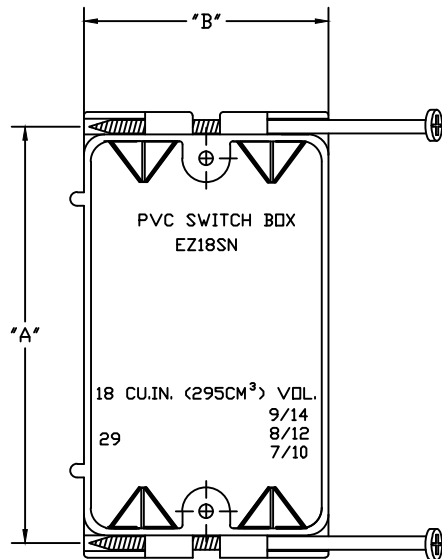
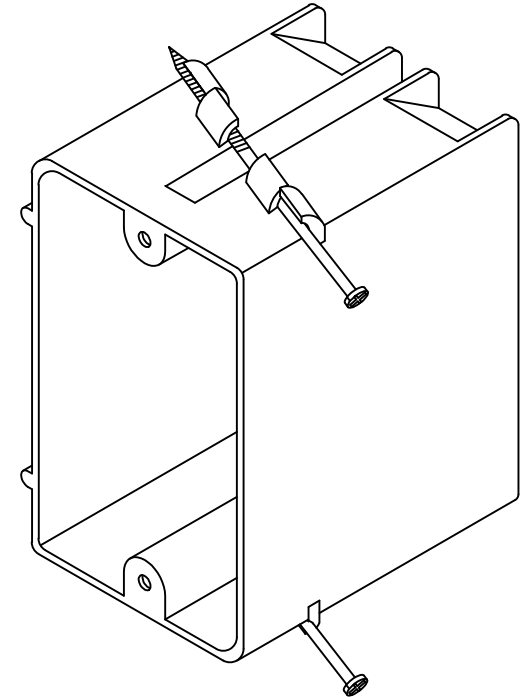


PART NUMBER	SIZE	"A"	"B"	"C"
EZ18SNZ	2 1/4" X 3 5/8" X 2 13/16" Four cable clamps Enhanced angled screw-nails for quick mounting between studs	3 7/8"	2 3/16"	2 7/8"



ETL Listed
 Conforms to UL Std. 514C
 2-HR Fire Wall Rating
 ETL Control # 3107144
 Suitable for Masonry Walls
 Material is Rigid PVC



CANTEX
 INC.
 Fort Worth, TEXAS

Single Gang EZ Box 18 Cubic Inch, w/ Screw-Nail

Drawn By: D. Gwinn

Date: 4/18/18

Ref. EZ18SNZ