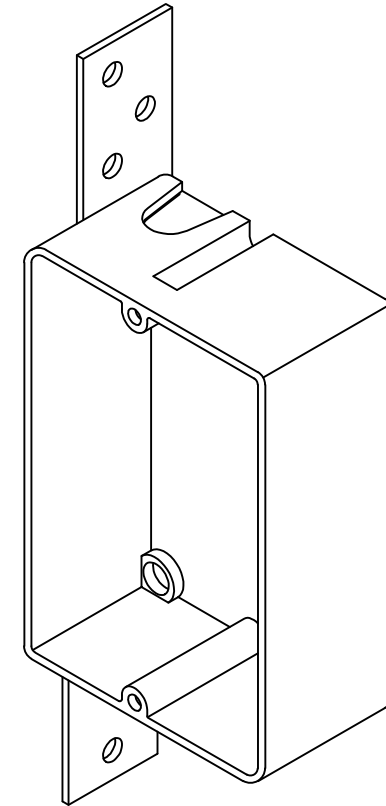
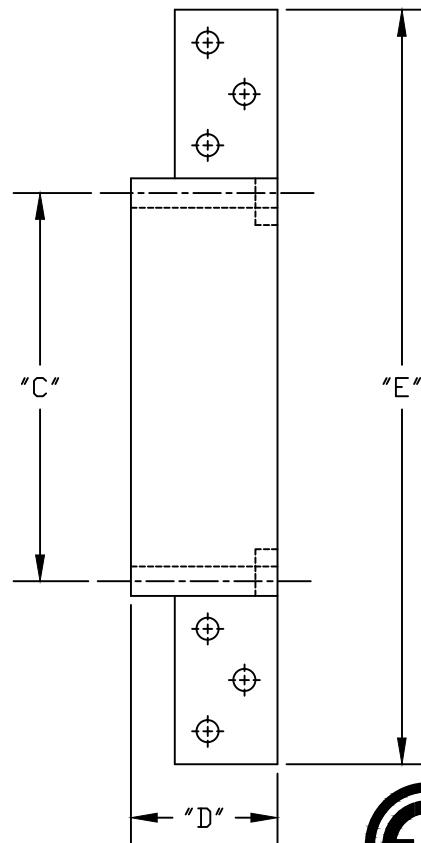
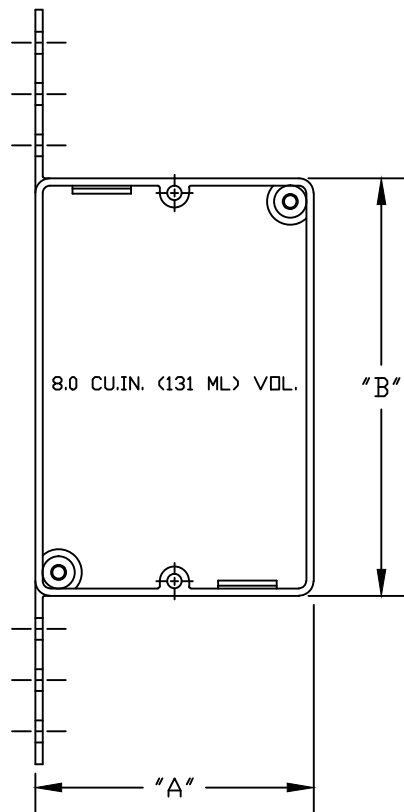


PART NUMBER	SIZE	"A"	"B"	"C"	"D"	"E"
EZ08SB	8 Cubic Inch 2 $\frac{3}{8}$ " x 3 $\frac{1}{2}$ " x 1 $\frac{1}{4}$ "	2 $\frac{3}{8}$ "	3 $\frac{9}{16}$ "	3 $\frac{5}{16}$ "	1 $\frac{1}{4}$ "	6 $\frac{7}{16}$ "



ETL Listed  
 Conforms to UL Std. 514C  
 2-HR Fire Wall Rating  
 ETL Control # 3107144  
 Material is rigid PVC

NOTICE:  
 CABLE TO THIS BOX MUST BE  
 FASTENED TO THE STRUCTURE  
 WITHIN 8" FROM THE BOX AS  
 MEASURED ALONG THE SHEATH



**Intertek**

TOLERANCES

± 1/16

**CANTEX**  
 INC.  
 Fort Worth, TEXAS

**Shallow EZ Box Bracketed**

Drawn By: D. Gwinn

Date:03/19/18

Ref: