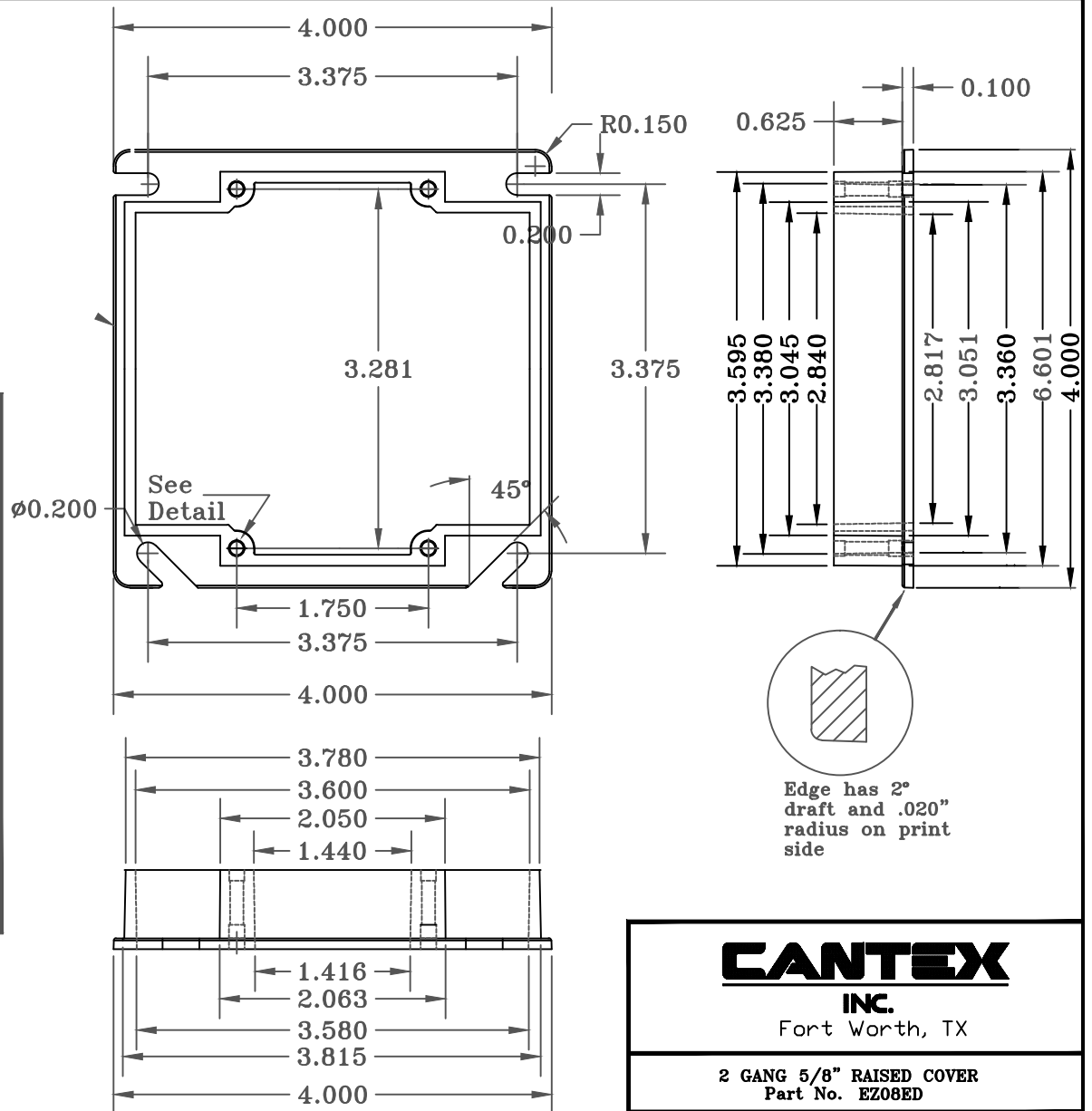


MARKING REQUIREMENTS



UL Listed
 UL514C Specification
 Category Code CEYY, QBWY & QCMZ
 Suitable for Masonry Walls
 Material is Rigid PVC

CANTEX

INC.

Fort Worth, TX

2 GANG 5/8" RAISED COVER
 Part No. EZ08ED

Drw.By: O.M.

Date: 5/22/17

Ref: DOUGA58