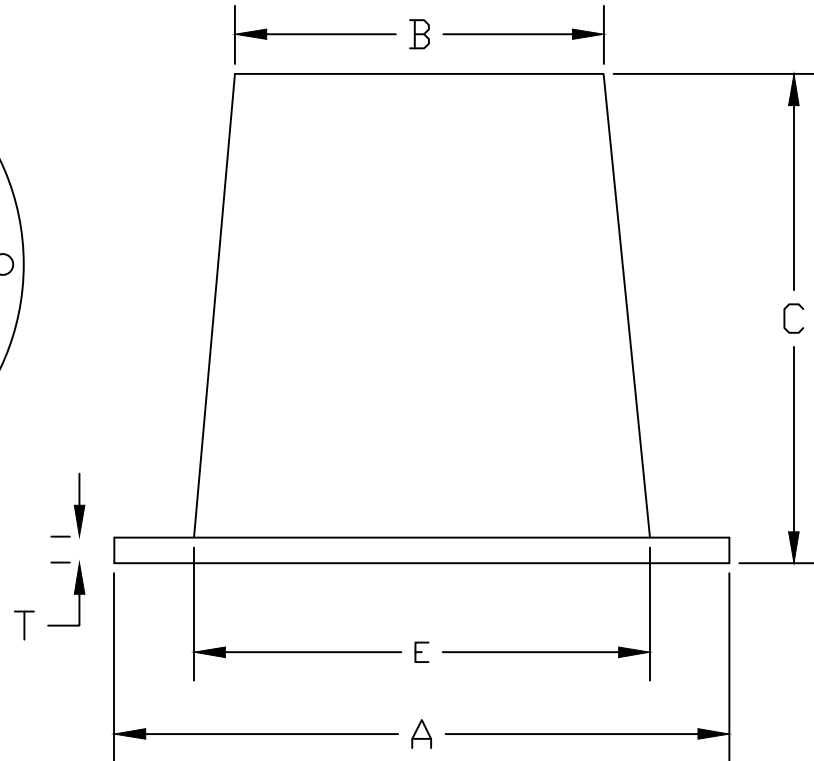
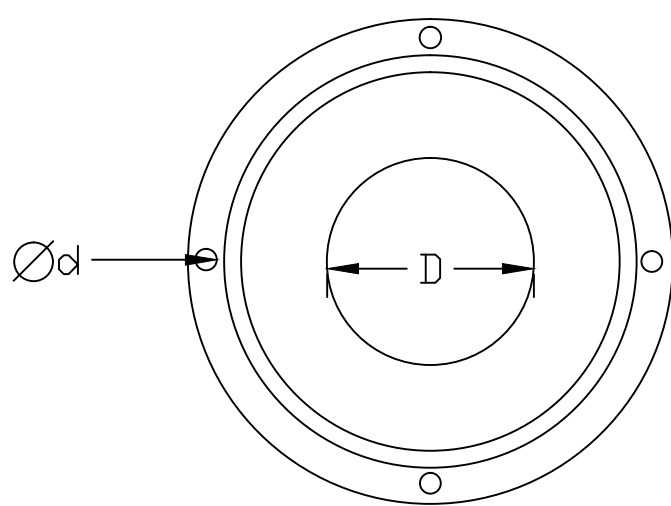


PART NUMBER	SIZE	"A"	"B"	"C"	"D"	"E"	"d"	"t"
EN050SBY	½"	2.48	1.45	1.60	0.84		0.12	0.08
EN075SBY	¾"	2.48	1.45	1.60	1.05		0.12	0.08
EN100SBY	1"	3.64	2.15	1.60	1.32		0.12	0.08



All Dimensions in inches

CANTEX INC. Fort Worth, TEXAS		
ENT Stubby Electrical Nonmetallic Slab Box		
Drawn By: CD Branch	Date:02/17/13	Ref.