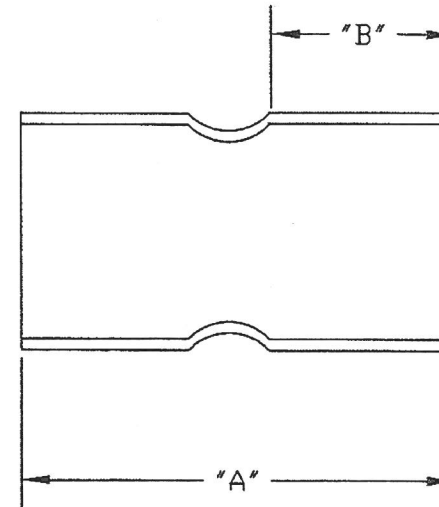
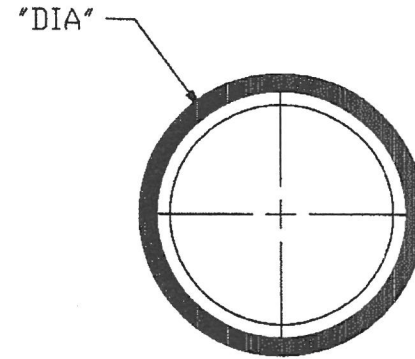
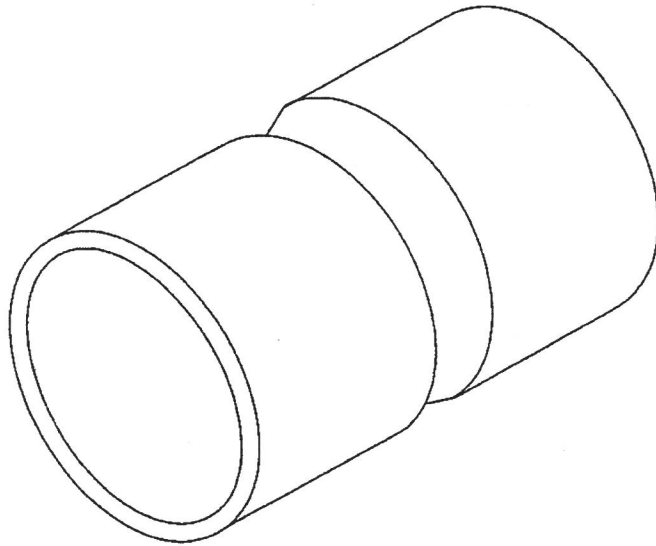


PART NUMBER	SIZE	"DIA"	"A"	"B"	Manufact.
6202002	2 ½	2 7/8"	6 5/16"	2 ¾"	CANTEX
6202015	5	5 9/16"	8 5/16"	3 5/8"	CANTEX
6202016	6	6 5/8"	9"	3 ½"	CANTEX

Dimensions are nominal
 Not a Listed product
 Material is Rigid PVC
 Standard Fabricated Parts
 Meets standard NEMA TC3



CANTEX INC. MINERAL WELLS, TEXAS		
Longline Coupling w/Center Stop Std. Sch. 40&80 Spl. Fittings		
Drawn By: O. Medina	Date: 12/16/16	Ref.