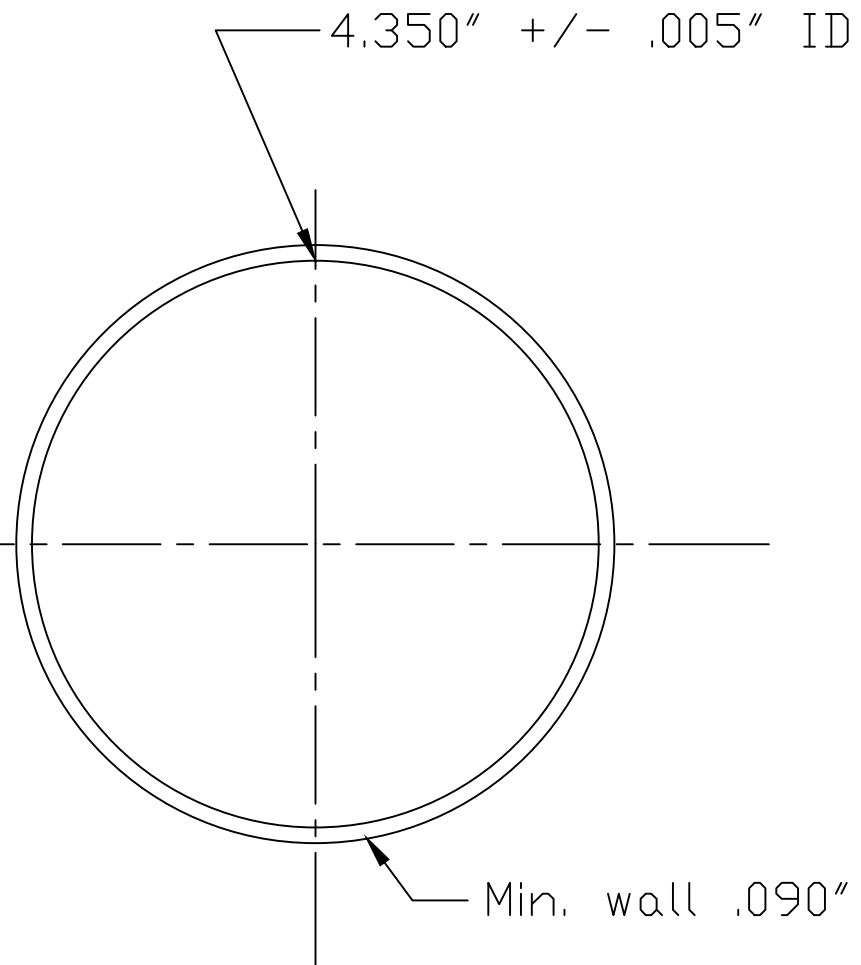
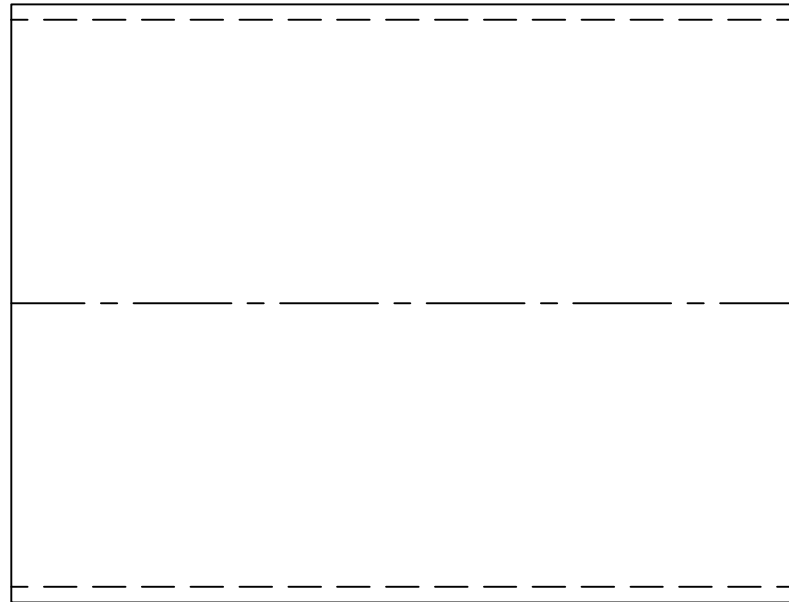


6.000 ± 0.006



$4.350'' \pm .005''$ ID

Min. wall .090''

CANTEX

INC.

MINERAL WELLS, TEXAS

4 in. CAO No Stop Coupling

Drawn By: O.M.

Date: 8/10/17

Ref. 6161652