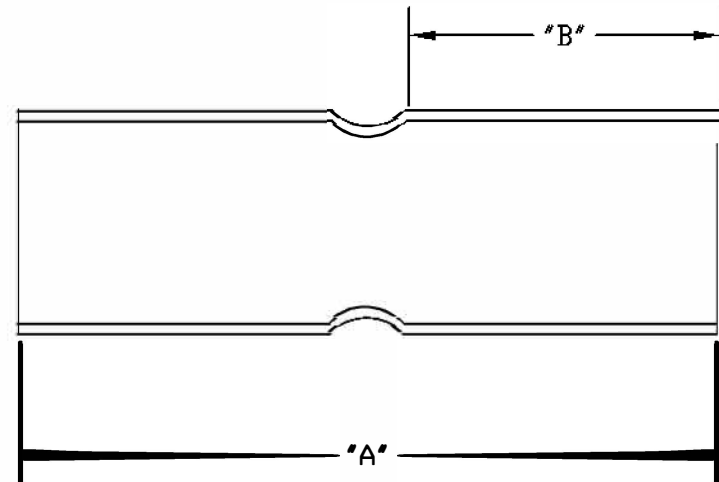
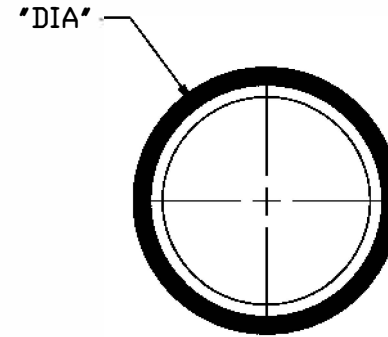
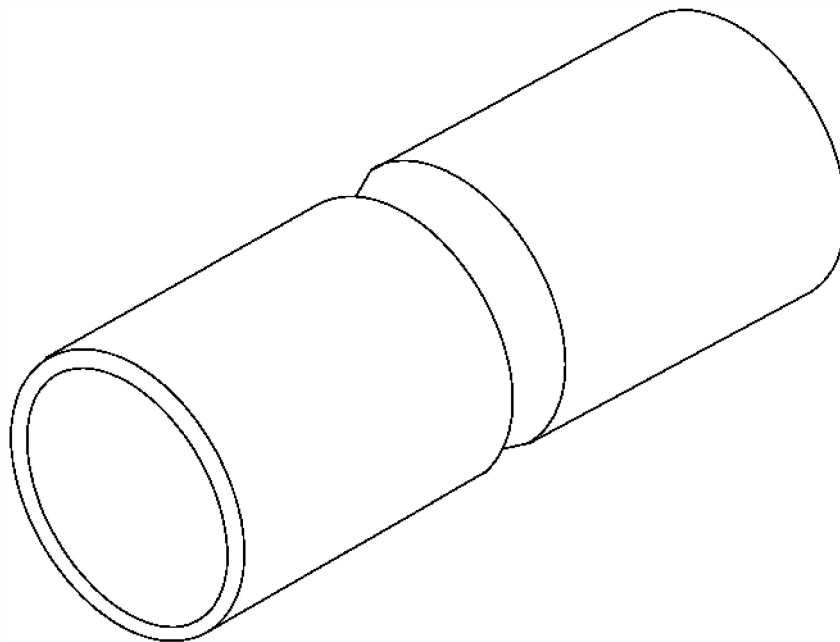


PART NUMBER	SIZE	"DIA"	"A"	"B"
6201001	2	2 3/4"	5 1/2"	2 1/4"
6201002	3	4"	6 3/4"	2 3/4"
6201000	4	5"	8 1/4"	3 1/2"
6151470	5	6 5/8"	10 3/16"	5"
6141720	6	7 1/4"	12 1/4"	5 1/4"

Dimensions are nominal
 Not a Listed product
 Material is Rigid PVC
 Long Swedged Fabricated Parts
 Meets standard NEMA TC3



CANTEX INC. MINERAL WELLS, TEXAS		
Long Swedged Coupling w/Center Stop Fabricated Sch. 40&80 Spl. Fittings		
Drawn By: D. Gwinn	Date: 9/25/20	Ref. 6201001