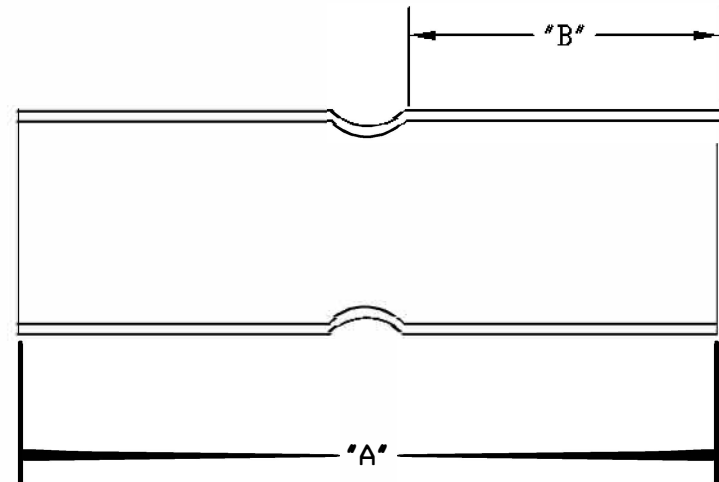
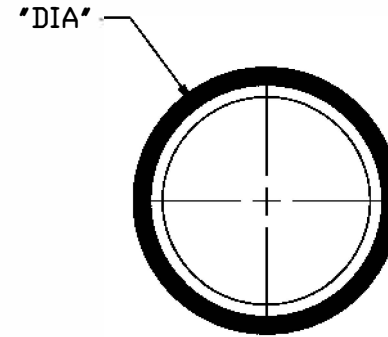
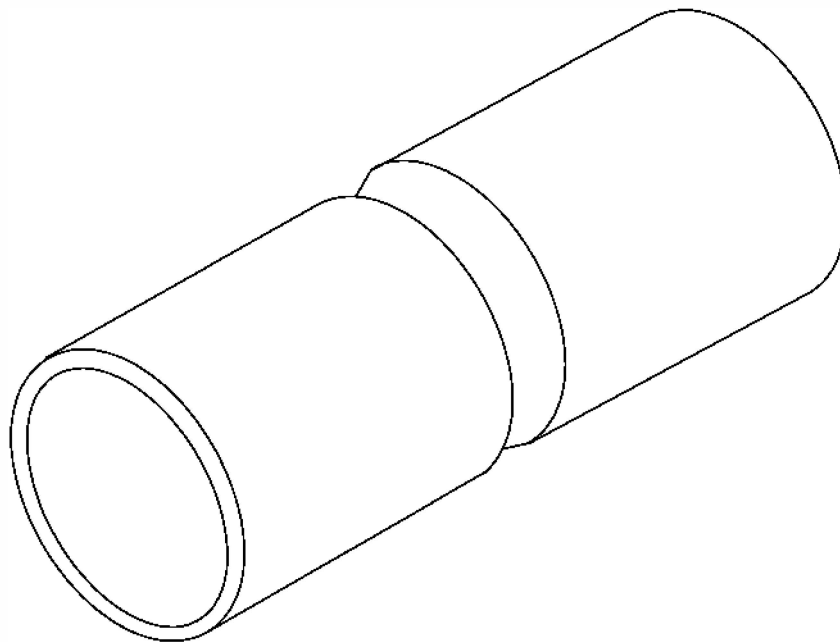


| PART NUMBER | SIZE | "DIA" | "A" | "B" |
|-------------|------|--------|----------|--------|
| 6201001 | 2 | 2 3/4" | 5 1/2" | 2 1/4" |
| 6201002 | 3 | 4" | 6 3/4" | 2 3/4" |
| 6201000 | 4 | 5" | 8 1/4" | 3 1/2" |
| 6151470 | 5 | 6 5/8" | 10 3/16" | 5" |
| 6141720 | 6 | 7 1/4" | 12 1/4" | 5 1/4" |

Dimensions are nominal
 Not a Listed product
 Material is Rigid PVC
 Long Swedged Fabricated Parts
 Meets standard NEMA TC3



| | | |
|--|---------------|--------------|
| CANTEX INC. MINERAL WELLS, TEXAS | | |
| Long Swedged Coupling w/Center Stop Fabricated Sch. 40&80 Spl. Fittings | | |
| Drawn By: D. Gwinn | Date: 9/25/20 | Ref. 6201001 |