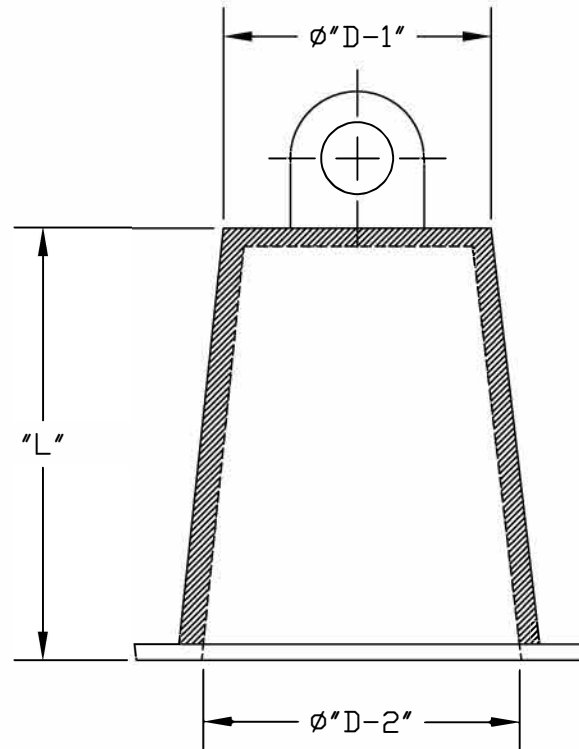
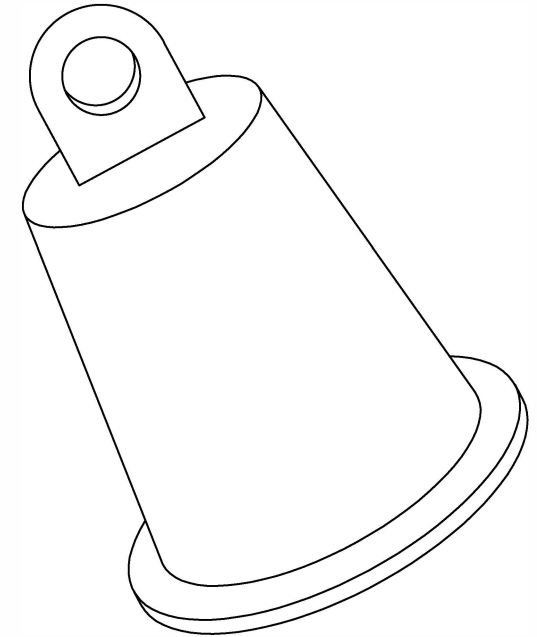


PART NUMBER	SIZE	"L"	"D-1"	"D-2"
5315258	2"	3"	2"	2 ½"
5315259	2 ½"	3"	2 ⅛"	2 ¾"
5315260	3"	3 ¾"	2 ⅞"	3 ½"
5315262	4"	3 ⅞"	3 ¾"	4 ½"
5315263	5"	3 ¾"	4 ⅞"	5 ⅝"
5315264	6"	3 ⅞"	5 ⅝"	6 ⅞"



MATERIAL - POLYETHYLENE

All dimensions are nominal and in inches

TOLERANCES

± 1/16

CANTEX

INC.

Fort Worth, TEXAS

Poly Plugs w/Pulling Eye
Schedule 40 & 80 Special Fittings

Drawn By: CD Branch

Date:03/05/18

Ref.