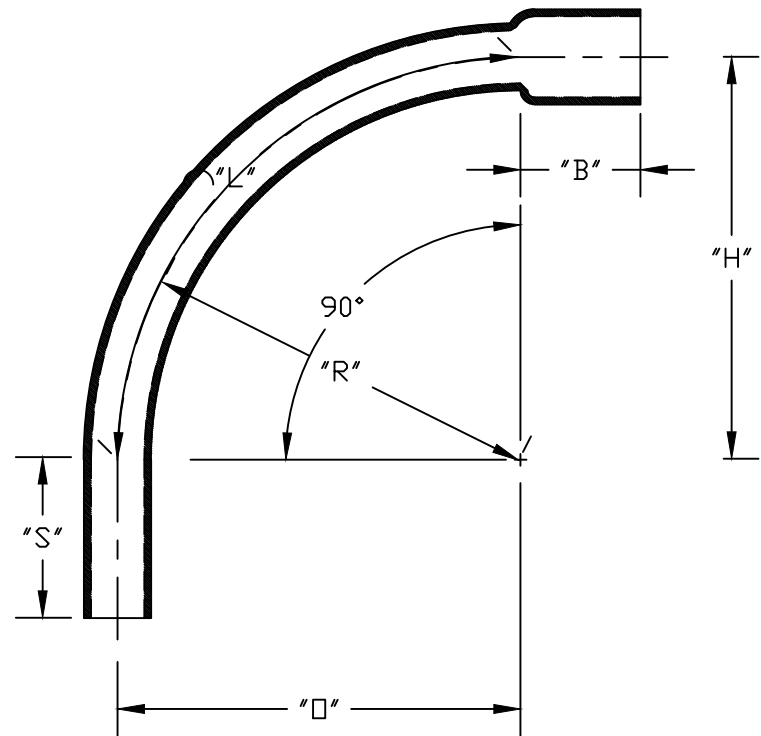


| PART NUMBER | SIZE | "R" | "□" | "H" | "S" MIN | "B" MIN | "L"     |
|-------------|------|-----|-----|-----|---------|---------|---------|
| 5283877     | 4"   | 48" | 48" | 48" | 3 3/8"  | 1 3/4"  | 75 3/8" |
| 5283881     | 5"   | 48" | 48" | 48" | 3 5/8"  | 2"      | 75 3/8" |



NOT A LISTED PRODUCT  
 CONFORMS TO NEMA TC 3  
 MATERIAL IS RIGID PVC  
 BEND TOLERANCE IS ±2°

|   |               |              |
|---|---------------|--------------|
| <b>CANTEX</b><br>INC.<br>Fort Worth, TEXAS      |               |              |
| 90° Elbows Bell End<br>DB-100 48" Radius Elbows |               |              |
| Drawn By: O.M.                                  | Date: 7/27/17 | Ref. 5283877 |

All dimensions are nominal