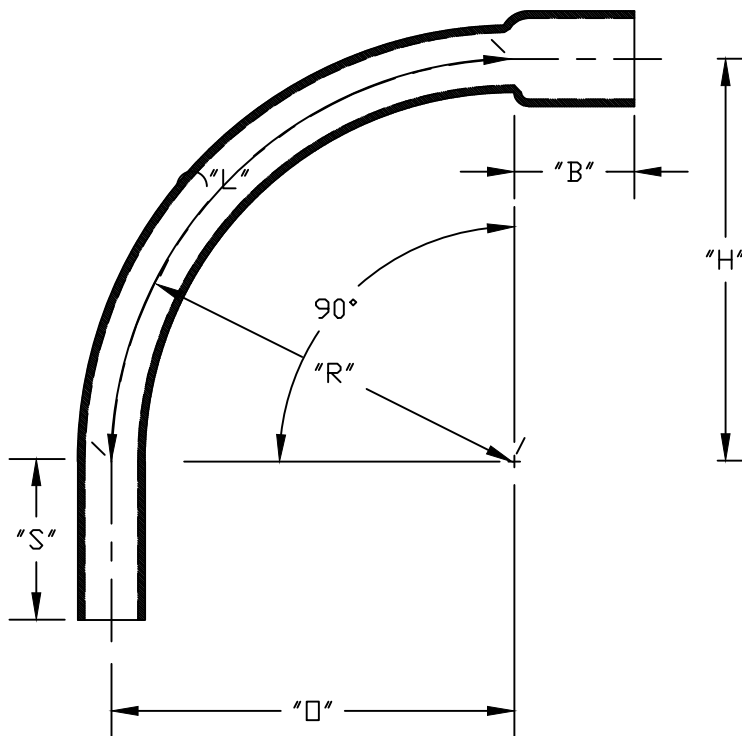


PART NUMBER	SIZE	"R"	"□"	"H"	"S" MIN	"B" MIN	"L"
5283876	4"	36"	36"	36"	3 3/8"	1 3/4"	56 1/2"
5283888	5"	36"	36"	36"	3 5/8"	2"	56 1/2"



NOT A LISTED PRODUCT
 CONFORMS TO NEMA TC 3
 MATERIAL IS RIGID PVC
 BEND TOLERANCE IS ±2°

CANTEX INC. Fort Worth, TEXAS		
90° Elbows Bell End DB-100 36" Radius Elbows		
Drawn By: O.M.	Date: 7/27/17	Ref. 5283876

All dimensions are nominal