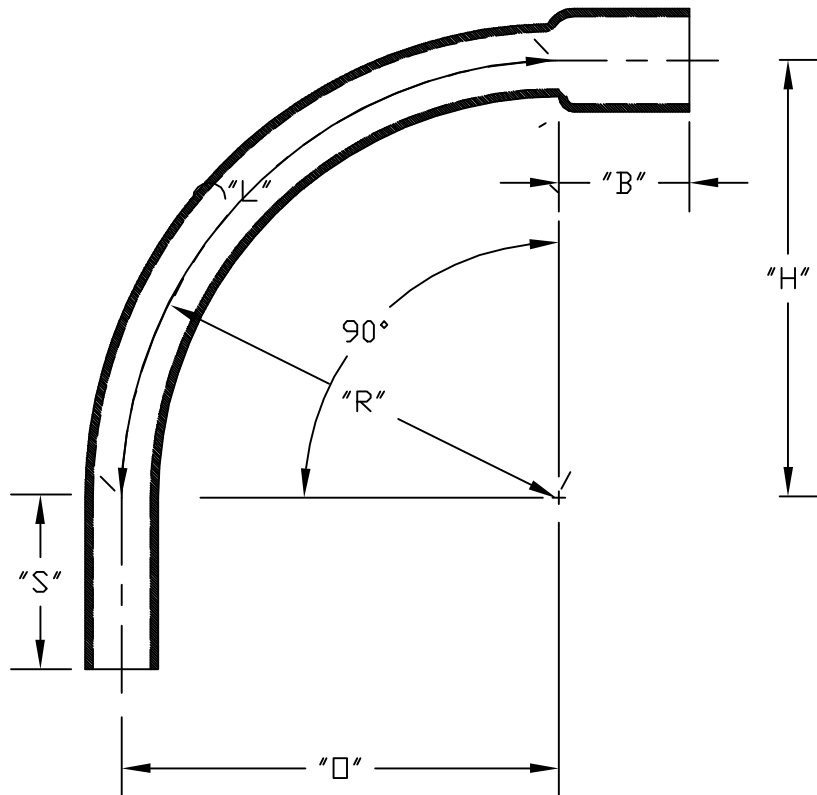


PART NUMBRT	SIZE	"R"	"O"	"H"	"S" MIN	"B" MIN	"L"
5283730	3"	24"	24"	24"	3 1/8"	2 1/2"	31 7/16"
5283875	4"	24"	24"	24"	3 3/8"	3 1/4"	31 7/16"



CONFORMS TO NEMA TC 6&8  
MATERIAL IS HIGH MODULUS (HM) 500,000 psi  
BEND TOLERANCE IS  $\pm 2^\circ$   
"B" TOLERANCE IS  $-1/8", +1/2"$

**CANTEX**  
**INC.**

Fort Worth, TEXAS

90° Elbows Bell End  
DB100 24" Radius Elbows

Drawn By: CD Branch

Date: 10/15/07

Ref.