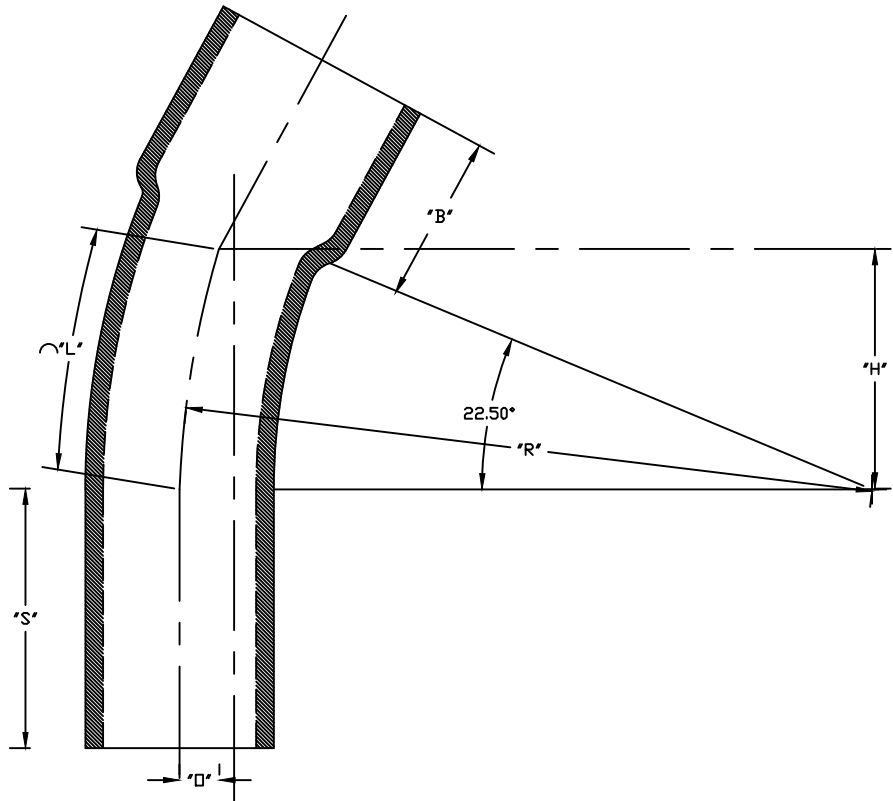


PART NUMBER	SIZE	"R"	"□"	"H"	"S" MIN	"B" MIN	"L"
5283764	4"	300"	10 7/8"	90 1/8"	3 3/8"	1 3/4"	117.81
5283740	5"	300"	10 7/8"	90 1/8"	3 5/8"	2"	117.81



CONFORMS TO NEMA TC6&8
 MATERIAL IS RIGID PVC
 BEND TOLERANCE IS ±2°

CANTEX INC. Fort Worth, TEXAS		
22-1/2° Elbows Bell End DB-100 300" Radius Elbows		
Drawn By: D. Gwinn	Date: 2/22/19	Ref. 5283764

Dimensions are nominal