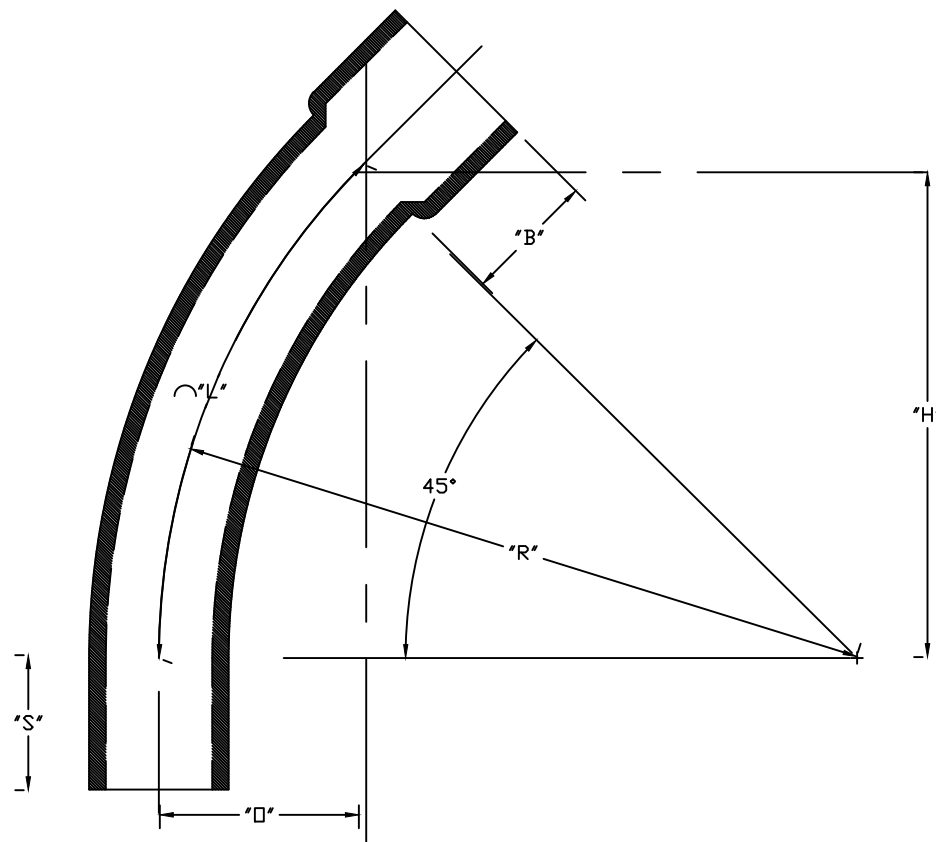


| PART NUMBER | SIZE | "R" | "□" | "H" | "S" MIN | "B" MIN | "L" |
|-------------|------|-----|---------|----------|---------|---------|---------|
| 5283751 | 4" | 36" | 10 1/2" | 25 7/16" | 3 3/8" | 1 3/4" | 28 1/4" |



NOT A LISTED PRODUCT
 CONFORMS TO NEMA TC 3
 MATERIAL IS RIGID PVC
 BEND TOLERANCE IS $\pm 2^\circ$

CANTEX
 INC.
 Fort Worth, TEXAS

45° Elbows Bell End
 DB-100 36" Radius Elbows

Drawn By: O.M.

Date: 7/27/17

Ref. 5283751

All dimensions are nominal