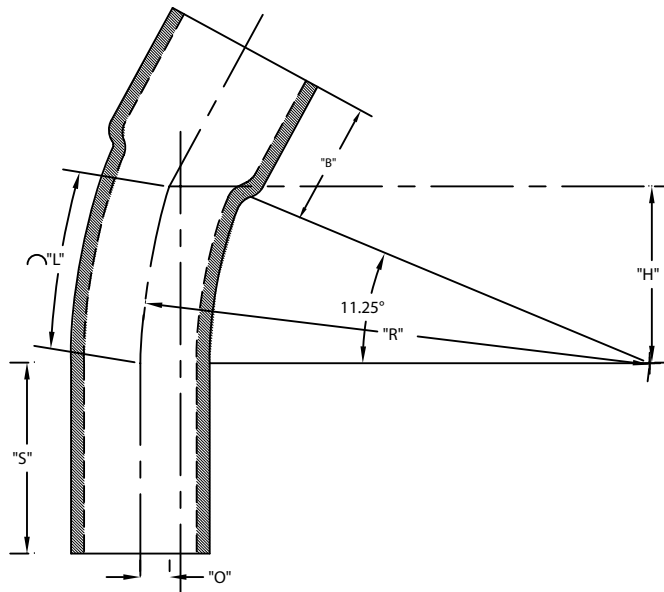


PART NUMBER	SIZE	"R"	"O"	"H"	"S" MIN	"B" MIN	"L"
5233963	2"	36"	1 1/16 "	7"	2"	2"	7 1/6 "
5234129	2 1/2 "	36"	1 1/16 "	7"	3"	2 1/4"	7 1/6 "
5234082	3"	36"	1 1/16 "	7"	3 1/8 "	2 1/2"	7 1/6 "
5233910	4"	36"	1 1/16 "	7"	3 3/8"	3 1/4"	7 1/6 "
5233914	5"	36"	1 1/16 "	7"	3 5/8"	4 1/4"	7 1/6 "
5233987	6"	36"	1 1/16 "	7"	3 3/4"	5"	7 1/6 "



ETL LISTED
 CONFORMS TO UL651
 ETL CONTROL #3107144
 CONFORMS TO NEMA TC3
 SEE NEC ARTICLE 352 FOR USE
 MATERIAL IS RIGID PVC
 BEND TOLERANCE IS $\pm 2^\circ$
 " B " TOLERANCE IS $- 1/8", + 1/2"$



CANTEX

INC.
 Fort Worth, TEXAS

11 1/4° Elbows Bell End
 Schedule 40 36" Radius Elbows

Drawn By: CD Branch

Date: 10/15/07

Ref.