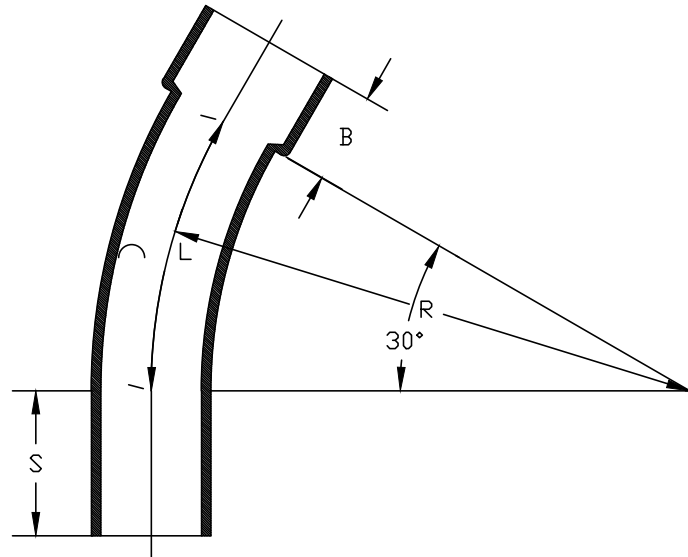


PART NUMBER	SIZE	"R"	"S" MIN	"B" MIN	"L"
5233962	4"	120"	3 $\frac{3}{8}$ "	1 $\frac{3}{4}$ "	62 $\frac{13}{16}$ "
5234060	5"	120"	3 $\frac{5}{8}$ "	2"	62 $\frac{13}{16}$ "
5233938	6"	120"	3 $\frac{3}{4}$ "	2 $\frac{1}{8}$ "	62 $\frac{13}{16}$ "



ETL LISTED
 CONFORMS TO UL651
 ETL CONTROL #3107144
 CONFORMS TO NEMA TC3
 SEE NEC ARTICLE 352 FOR USE
 MATERIAL IS RIGID PVC
 BEND TOLERANCE IS $\pm 2^\circ$



CANTEX
 INC.
 Fort Worth, TEXAS

30° Elbows Bell End
 Schedule 40 120" Radius Elbows

Drawn By: D. Gwinn Date: 3/8/19 Ref. 5233962