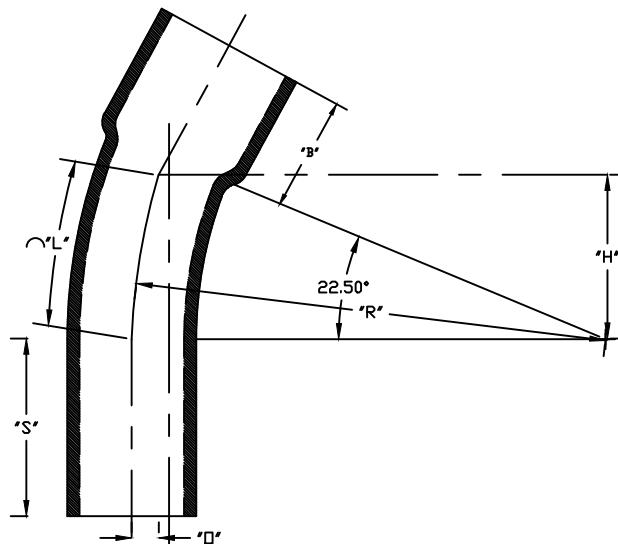


PART NUMBER	SIZE	"R"	"D"	"H"	"S" MIN	"B"	"L"
5236425	1 1/4"	24"	1 13/16"	9 3/16"	2"	1"	9 7/16"
5233915	2"	24"	1 13/16"	9 3/16"	2"	1 1/8"	9 7/16"
5234019	2 1/2"	24"	1 13/16"	9 3/16"	3"	1 1/2"	9 7/16"
5233903	3"	24"	1 13/16"	9 3/16"	3 1/8"	1 5/8"	9 7/16"
5233909	4"	24"	1 13/16"	9 3/16"	3 3/8"	1 3/4"	9 7/16"
5233917	6"	24"	1 13/16"	9 3/16"	3 3/4"	2 1/8"	9 7/16"



ETL LISTED
 CONFORMS TO UL651
 ETL CONTROL #3107144
 CONFORMS TO NEMA TC3
 SEE NEC ARTICLE 352 FOR USE
 MATERIAL IS RIGID PVC
 BEND TOLERANCE IS ±2°



CANTEX INC. Fort Worth, TEXAS		
22-1/2° Elbows Bell End Schedule 40 24" Radius Elbows		
Drawn By: O.M.	Date: 5/12/17	Ref. 5236425