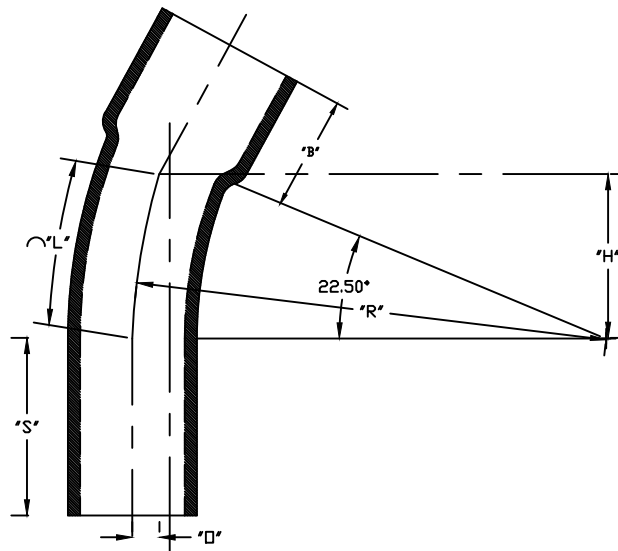


PART NUMBER	SIZE	"R"	"D"	"H"	"S" MIN	"B" MIN	"L"
5233997	1 1/2"	36"	2 3/4"	13 3/4"	2"	1 1/8"	14 1/8"
5233851	2"	36"	2 3/4"	13 3/4"	2"	1 1/8"	14 1/8"
5233937	2 1/2"	36"	2 3/4"	13 3/4"	3"	1 1/2"	14 1/8"
5233904	3"	36"	2 3/4"	13 3/4"	3 1/8"	1 5/8"	14 1/8"
5233853	4"	36"	2 3/4"	13 3/4"	3 3/8"	1 3/4"	14 1/8"
5133888	5"	36"	2 3/4"	13 3/4"	3 1/2"	4 1/8"	14 1/8"
5233905	6"	36"	2 3/4"	13 3/4"	3 3/4"	2 1/8"	14 1/8"



ETL LISTED
 CONFORMS TO UL651
 ETL CONTROL #3107144
 CONFORMS TO NEMA TC3
 SEE NEC ARTICLE 352 FOR USE
 MATERIAL IS RIGID PVC
 BEND TOLERANCE IS ±2°

All dimensions are nominal



CANTEX
 INC.
 Fort Worth, TEXAS

22-1/2° Elbows Bell End
 Schedule 40 36" Radius Elbows

Drawn By: O.M.

Date: 7/17/17

Ref. 5233997