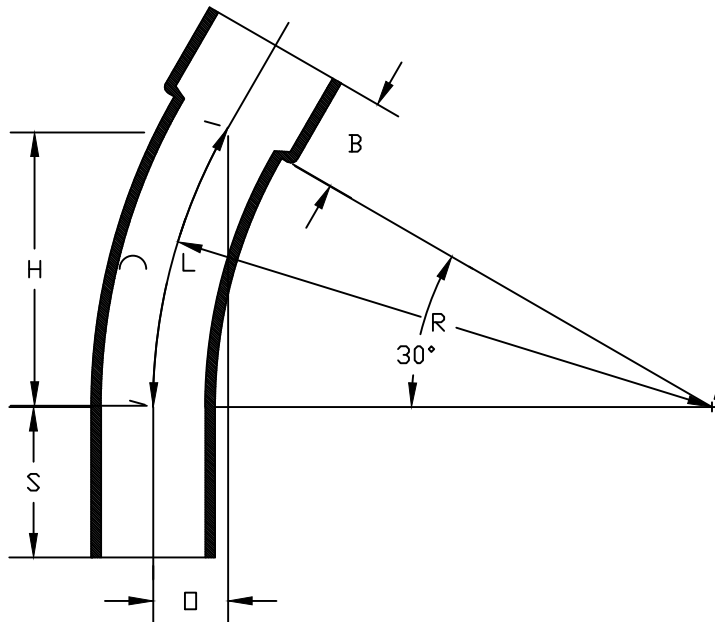


PART NUMBER	SIZE	"R"	"□"	"H"	"S" MIN	"B" MIN	"L"
5233820	2"	48"	6 7/16"	24"	2"	2"	25 1/8"
5233809	3"	48"	6 7/16"	24"	3 1/8"	2 1/2"	25 1/8"
5233838	4"	48"	6 7/16"	24"	3 3/8"	3 1/4"	25 1/8"
5233959	5"	48"	6 7/16"	24"	3 5/8"	4 1/4"	25 1/8"
5233861	6"	48"	6 7/16"	24"	3 3/4"	5"	25 1/8"



ETL LISTED
 CONFORMS TO UL651
 ETL CONTROL #3107144
 CONFORMS TO NEMA TC3
 SEE NEC ARTICLE 352 FOR USE
 MATERIAL IS RIGID PVC
 BEND TOLERANCE IS ±2°



CANTEX INC. Fort Worth, TEXAS		
30° Elbows Bell End Schedule 40 48" Radius Elbows		
Drawn By: O.M.	Date: 5/12/17	Ref. 5233820