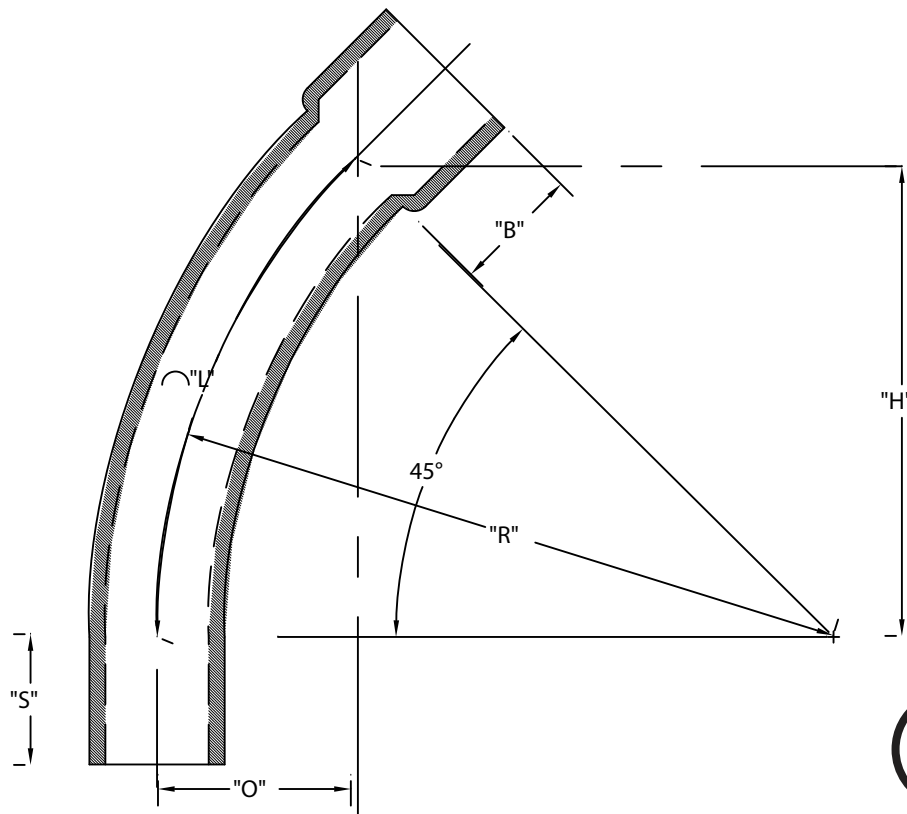


PART NUMBER	SIZE	"R"	"O"	"H"	"S" MIN	"B" MIN	"L"
5233878	1"	24"	7"	17"	1 $\frac{7}{8}$ "	1 $\frac{1}{2}$ "	18 $\frac{7}{8}$ "
5233941	1 $\frac{1}{4}$ "	24"	7"	17"	2"	1 $\frac{1}{2}$ "	18 $\frac{7}{8}$ "
5233874	1 $\frac{1}{2}$ "	24"	7"	17"	2"	2"	18 $\frac{7}{8}$ "
5233815	2"	24"	7"	17"	2"	2"	18 $\frac{7}{8}$ "
5233935	2 $\frac{1}{2}$ "	24"	7"	17"	3"	2 $\frac{1}{4}$ "	18 $\frac{7}{8}$ "
5233800	3"	24"	7"	17"	3 $\frac{1}{8}$ "	2 $\frac{1}{2}$ "	18 $\frac{7}{8}$ "
5233802	3 $\frac{1}{2}$ "	24"	7"	17"	3 $\frac{1}{4}$ "	3 $\frac{1}{4}$ "	18 $\frac{7}{8}$ "
5233812	4"	24"	7"	17"	3 $\frac{3}{8}$ "	3 $\frac{1}{4}$ "	18 $\frac{7}{8}$ "



ETL LISTED  
 CONFORMS TO UL651  
 ETL CONTROL #3107144  
 CONFORMS TO NEMA TC3  
 SEE NEC ARTICLE 352 FOR USE  
 MATERIAL IS RIGID PVC  
 BEND TOLERANCE IS  $\pm 2^\circ$   
 "B" TOLERANCE IS  $-\frac{1}{8}$ ",  $+\frac{1}{2}$ "



**CANTEX**  
 INC.  
 Fort Worth, TEXAS

45° Elbows Bell End  
 Schedule 40 24" Radius Elbows

Drawn By: CD Branch

Date: 10/15/07

Ref.