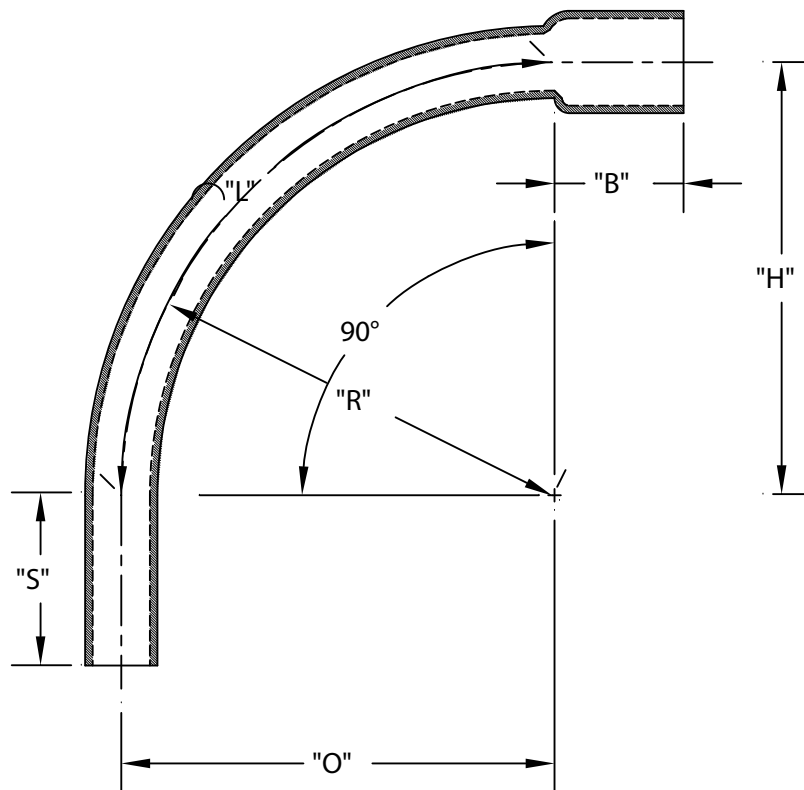


PART NUMBER	SIZE	"R"	"O"	"H"	"S" MIN	"B" MIN	"L"
5233855	1"	36"	36"	36"	1 7/8"	1 1/2"	56 1/2"
5233884	1 1/4"	36"	36"	36"	2"	1 1/2"	56 1/2"
5233866	1 1/2"	36"	36"	36"	2"	2"	56 1/2"
5233848	2"	36"	36"	36"	2"	2"	56 1/2"
5233857	2 1/2"	36"	36"	36"	3"	2 1/4"	56 1/2"
5233930	3"	36"	36"	36"	3 1/8"	2 1/2"	56 1/2"
5233818	3 1/2"	36"	36"	36"	3 1/4"	3 1/4"	56 1/2"
5233842	4"	36"	36"	36"	3 3/8"	3 1/4"	56 1/2"
5233841	5"	36"	36"	36"	3 5/8"	4 1/4"	56 1/2"
5233877	6"	36"	36"	36"	3 3/4"	5"	56 1/2"



ETL LISTED  
 CONFORMS TO UL651  
 ETL CONTROL #3107144  
 CONFORMS TO NEMA TC3  
 SEE NEC ARTICLE 352 FOR USE  
 MATERIAL IS RIGID PVC  
 BEND TOLERANCE IS ±2°  
 "B" TOLERANCE IS -1/8", +1/2"



**CANTEX**  
 INC.  
 Fort Worth, TEXAS

90° Elbows Bell End  
 Schedule 40 36" Radius Elbows

Drawn By: CD Branch

Date: 10/15/07

Ref.