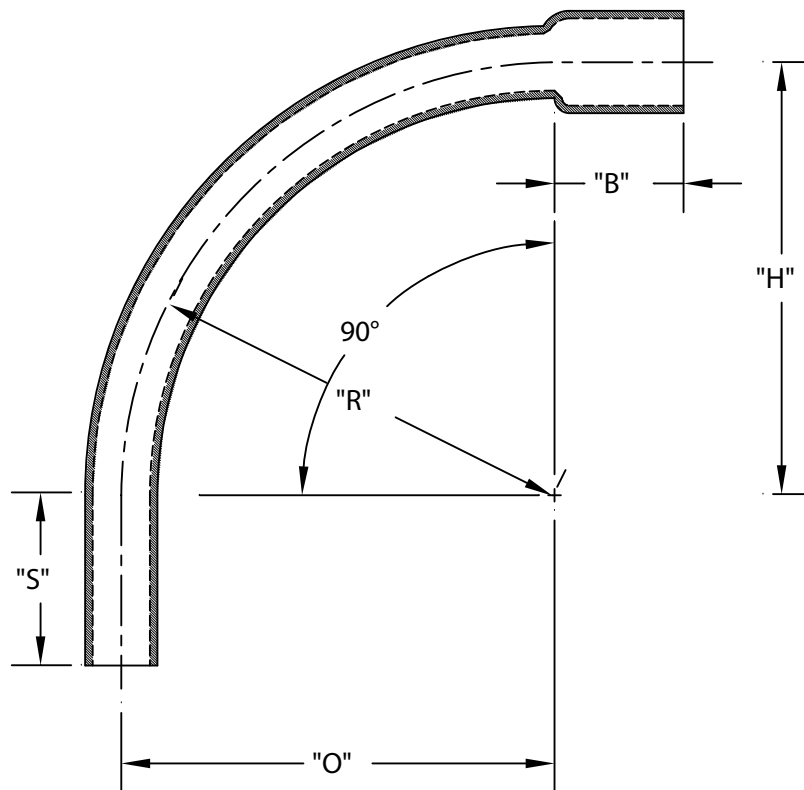


PART NUMBER	SIZE	"R"	"O"	"H"	"S" MIN	"B" MIN	"L"
5233823	½ "	4"	4"	4"	1 ½ "	1 ⅛ "	6 ¼ "
5233824	¾ "	4 ½ "	4 ½ "	4 ½ "	1 ½ "	¾ "	7 ⅛ "
5233825	1"	5 ¾ "	5 ¾ "	5 ¾ "	1 ⅞ "	⅞ "	9"
5233826	1 ¼ "	7 ¼ "	7 ¼ "	7 ¼ "	2"	1"	11 ⅜ "
5233827	1 ½ "	8 ¼ "	8 ¼ "	8 ¼ "	2"	1 ⅛ "	13"
5233828	2"	9 ½ "	9 ½ "	9 ½ "	2"	1 ¼ "	15"
5233829	2 ½ "	10 ½ "	10 ½ "	10 ½ "	3"	1 ½ "	16 ½ "
5233830	3"	13"	13"	13"	3 ⅛ "	1 ⅝ "	20 ⅜ "
5233831	3 ½ "	15"	15"	15"	3 ¼ "	1 11/16 "	23 ½ "
5233832	4"	16"	16"	16"	3 ⅜ "	1 ¾ "	25 ⅛ "
5233835	5"	24"	24"	24"	3 ⅝ "	2"	37 ⅝ "
5233834	6"	30"	30"	30"	3 ¾ "	2 ⅛ "	47 ⅛ "



ETL LISTED
 CONFORMS TO UL651
 ETL CONTROL #3107144
 CONFORMS TO NEMA TC3
 SEE NEC ARTICLE 352 FOR USE
 MATERIAL IS RIGID PVC
 BEND TOLERANCE IS ±2°



CANTEX
 INC.
 Fort Worth, TEXAS

90° Elbows Bell End
 Schedule 40 Standard Radius Elbows

Drawn By: CD Branch

Date: 10/15/07

Ref.