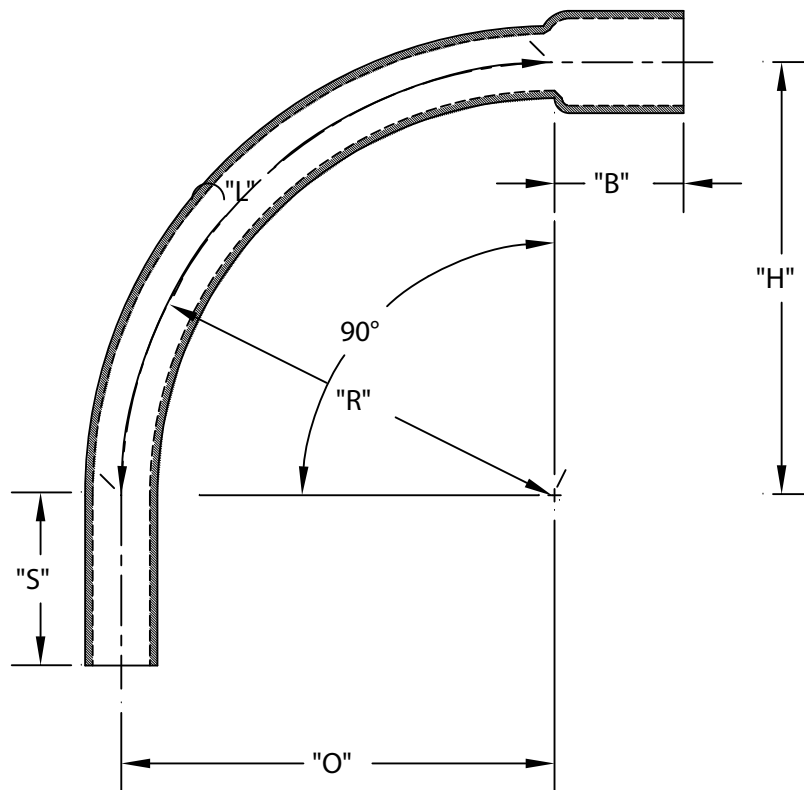


PART NUMBER	SIZE	"R"	"O"	"H"	"S" MIN	"B" MIN	"L"
5236338	1"	48"	48"	48"	1 $\frac{7}{8}$ "	1 $\frac{1}{2}$ "	75 $\frac{3}{8}$ "
5234053	1 $\frac{1}{4}$ "	48"	48"	48"	2"	1 $\frac{1}{2}$ "	75 $\frac{3}{8}$ "
5233865	1 $\frac{1}{2}$ "	48"	48"	48"	2"	2"	75 $\frac{3}{8}$ "
5233876	2"	48"	48"	48"	2"	2"	75 $\frac{3}{8}$ "
5233849	2 $\frac{1}{2}$ "	48"	48"	48"	3"	2 $\frac{1}{4}$ "	75 $\frac{3}{8}$ "
5233817	3"	48"	48"	48"	3 $\frac{1}{8}$ "	2 $\frac{1}{2}$ "	75 $\frac{3}{8}$ "
5233892	3 $\frac{1}{2}$ "	48"	48"	48"	3 $\frac{1}{4}$ "	3 $\frac{1}{4}$ "	75 $\frac{3}{8}$ "
5233843	4"	48"	48"	48"	3 $\frac{3}{8}$ "	3 $\frac{1}{4}$ "	75 $\frac{3}{8}$ "
5233868	5"	48"	48"	48"	3 $\frac{5}{8}$ "	4 $\frac{1}{4}$ "	75 $\frac{3}{8}$ "
5233816	6"	48"	48"	48"	3 $\frac{3}{4}$ "	5"	75 $\frac{3}{8}$ "



ETL LISTED
 CONFORMS TO UL651
 ETL CONTROL #3107144
 CONFORMS TO NEMA TC3
 SEE NEC ARTICLE 352 FOR USE
 MATERIAL IS RIGID PVC
 BEND TOLERANCE IS $\pm 2^\circ$
 "B" TOLERANCE IS $-\frac{1}{8}$ ", $+\frac{1}{2}$ "



CANTEX
 INC.
 Fort Worth, TEXAS

90° Elbows Bell End
 Schedule 40 48" Radius Elbows

Drawn By: CD Branch

Date: 10/15/07

Ref.