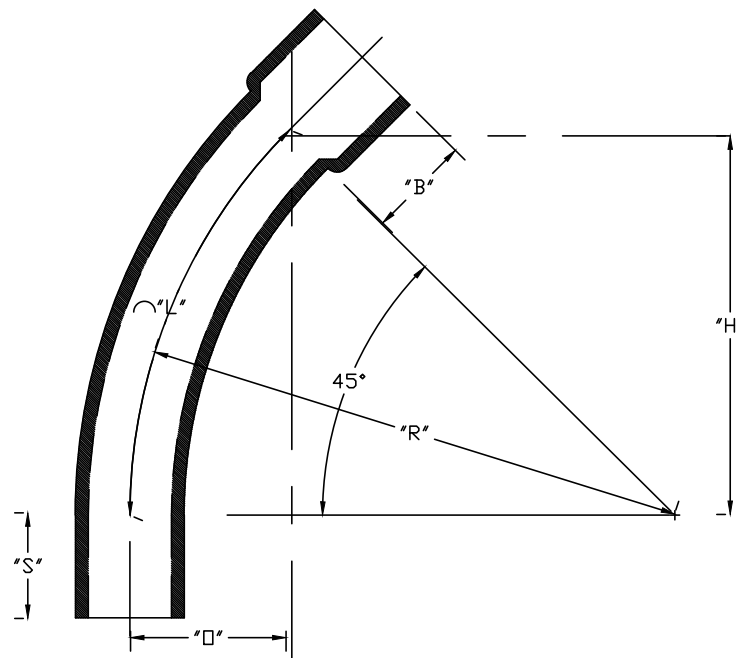


PART NUMBER	SIZE	"R"	"O"	"H"	"S" MIN	"B" MIN	"L"
5234015	2"	150"	43 $\frac{15}{16}$ "	106 $\frac{1}{16}$ "	2"	1 $\frac{1}{8}$ "	117 $\frac{13}{16}$ "
5233783	3"	150"	43 $\frac{15}{16}$ "	106 $\frac{1}{16}$ "	3 $\frac{1}{8}$ "	1 $\frac{5}{8}$ "	117 $\frac{13}{16}$ "
5233951	4"	150"	43 $\frac{15}{16}$ "	106 $\frac{1}{16}$ "	3 $\frac{3}{8}$ "	1 $\frac{3}{4}$ "	117 $\frac{13}{16}$ "
5233952	5"	150"	43 $\frac{15}{16}$ "	106 $\frac{1}{16}$ "	3 $\frac{5}{8}$ "	2"	117 $\frac{13}{16}$ "
5233804	6"	150"	43 $\frac{15}{16}$ "	106 $\frac{1}{16}$ "	3 $\frac{3}{4}$ "	2 $\frac{1}{8}$ "	117 $\frac{13}{16}$ "



ETL LISTED
 CONFORMS TO UL651
 ETL CONTROL #3107144
 CONFORMS TO NEMA TC3
 SEE NEC ARTICLE 352 FOR USE
 MATERIAL IS RIGID PVC
 BEND TOLERANCE IS $\pm 2^\circ$



CANTEX
 INC.
 Fort Worth, TEXAS

45° Elbows, Bell End
 Schedule 40 150" Radius Elbows

Drawn By: D. Gwinn

Date: 2/14/19

Ref. 5234015