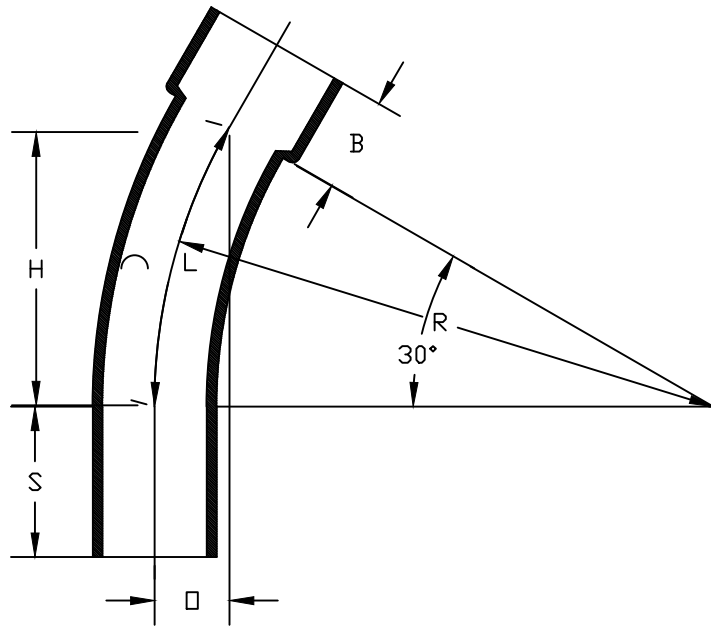


PART NUMBER	SIZE	"R"	"□"	"H"	"S" MIN	"B" MIN	"L"
5233803	1 1/2"	24"	3 3/16"	12"	2"	1 1/8"	12 9/16"
5233796	2"	24"	3 3/16"	12"	2"	1 1/8"	12 9/16"
5233958	3"	24"	3 3/16"	12"	3 1/8"	1 5/8"	12 9/16"
5233788	4"	24"	3 3/16"	12"	3 3/8"	1 3/4"	12 9/16"



ETL LISTED  
 CONFORMS TO UL651  
 ETL CONTROL #3107144  
 CONFORMS TO NEMA TC3  
 SEE NEC ARTICLE 352 FOR USE  
 MATERIAL IS RIGID PVC  
 BEND TOLERANCE IS ±2°



**CANTEX**  
 INC.  
 Fort Worth, TEXAS

30° Elbows Bell End  
 Schedule 40 24" Radius Elbows

Drawn By: O.M.

Date: 6/16/17

Ref. 5233803