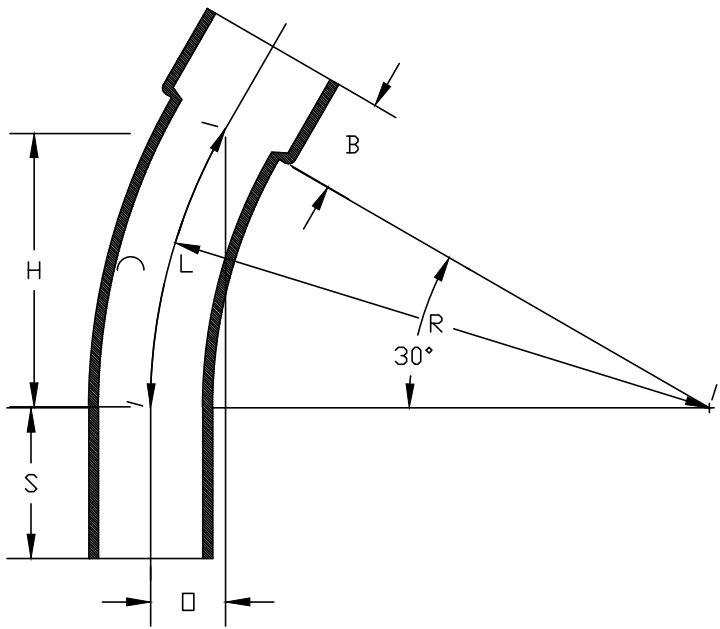


PART NUMBER	SIZE	"R"	"□"	"H"	"S" MIN	"B" MIN	"L"
5233789	2"	18"	2 7/16"	9 1/16"	2"	1 1/8"	9 7/16"
5233969	3"	18"	2 7/16"	9 1/16"	3 1/8"	1 5/8"	9 7/16"



ETL LISTED
 CONFORMS TO UL651
 ETL CONTROL #3107144
 CONFORMS TO NEMA TC3
 SEE NEC ARTICLE 352 FOR USE
 MATERIAL IS RIGID PVC
 BEND TOLERANCE IS ±2°



CANTEX INC. Fort Worth, TEXAS		
30° Elbows Bell End Schedule 40 18" Radius Elbows		
Drawn By: CD Branch	Date: 2/14/19	Ref. 5233789