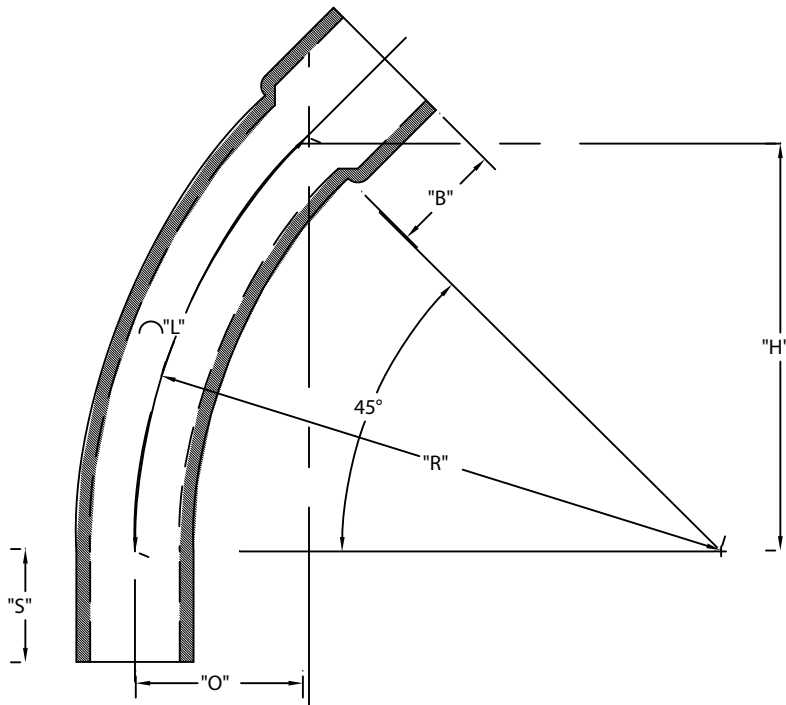


PART NUMBER	SIZE	"R"	"O"	"H"	"S" MIN	"B" MIN	"L"
5233763	½ "	4"	1 ⅜ "	2 ⅜ "	1 ½ "	1"	3 ⅛ "
5233764	¾ "	4 ½ "	1 ⅝ "	3 ⅜ "	1 ½ "	1 ½ "	3 ½ "
5233765	1"	5 ¾ "	1 ⅞ "	4 ⅜ "	1 ⅞ "	1 ½ "	4 ½ "
5233766	1 ¼ "	7 ¼ "	2 ⅛ "	5 ⅛ "	2"	1 ½ "	5 ⅛ "
5233767	1 ½ "	8 ¼ "	2 ⅞ "	5 ⅜ "	2"	2"	6 ½ "
5233768	2"	9 ½ "	2 ⅜ "	6 ¾ "	2"	2"	7 ½ "
5233769	2 ½ "	10 ½ "	3 ⅜ "	7 ⅞ "	3"	2 ¼ "	8 ¼ "
5233770	3"	13"	3 ⅜ "	9 ⅜ "	3 ½ "	2 ½ "	10 ⅜ "
5233771	3 ½ "	15"	4 ⅜ "	10 ⅝ "	3 ¼ "	3 ¼ "	11 ⅜ "
5233772	4"	16"	4 ⅞ "	11 ⅜ "	3 ⅜ "	3 ¼ "	12 ⅞ "
5233773	5"	24"	7"	17"	3 ⅝ "	4 ¼ "	18 ⅞ "
5233774	6"	30"	8 ⅞ "	21 ¼ "	3 ¾ "	5"	23 ⅞ "



ETL LISTED
 CONFORMS TO UL651
 ETL CONTROL #3107144
 CONFORMS TO NEMA TC3
 SEE NEC ARTICLE 352 FOR USE
 MATERIAL IS RIGID PVC
 BEND TOLERANCE IS ±2°
 "B" TOLERANCE IS -1/8", +1/2"



45° Elbows Bell End
 Schedule 40 Standard Radius Elbows

Drawn By: CD Branch

Date: 10/15/07

Ref.