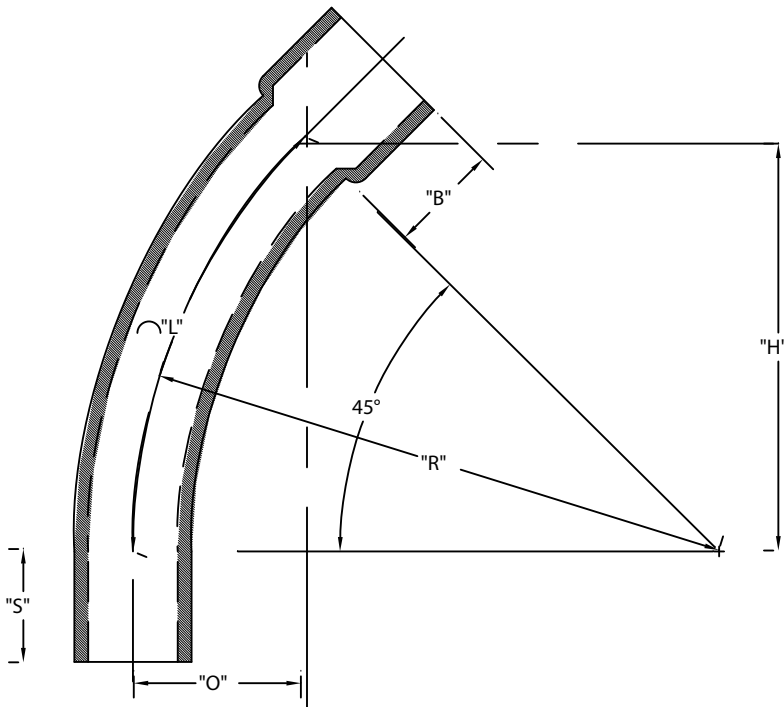


PART NUMBER	SIZE	"R"	"O"	"H"	"S" MIN	"B" MIN	"L"
5233763	½"	4"	1 ⅜"	2 ⅜"	1 ½"	1"	3 ⅛"
5233764	¾"	4 ½"	1 ⅝"	3 ⅜"	1 ½"	1 ½"	3 ½"
5233765	1"	5 ¾"	1 ⅞"	4 ⅜"	1 ⅞"	1 ½"	4 ½"
5233766	1 ¼"	7 ¼"	2 ⅛"	5 ⅛"	2"	1 ½"	5 ⅛"
5233767	1 ½"	8 ¼"	2 ⅞"	5 ⅜"	2"	2"	6 ½"
5233768	2"	9 ½"	2 ⅜"	6 ¾"	2"	2"	7 ½"
5233769	2 ½"	10 ½"	3 ⅜"	7 ⅞"	3"	2 ¼"	8 ¼"
5233770	3"	13"	3 ⅜"	9 ⅜"	3 ½"	2 ½"	10 ⅜"
5233771	3 ½"	15"	4 ⅜"	10 ⅝"	3 ¼"	3 ¼"	11 ⅜"
5233772	4"	16"	4 ⅞"	11 ⅜"	3 ⅜"	3 ¼"	12 ⅞"
5233773	5"	24"	7"	17"	3 ⅝"	4 ¼"	18 ⅞"
5233774	6"	30"	8 ⅞"	21 ¼"	3 ¾"	5"	23 ⅞"



ETL LISTED  
 CONFORMS TO UL651  
 ETL CONTROL #3107144  
 CONFORMS TO NEMA TC3  
 SEE NEC ARTICLE 352 FOR USE  
 MATERIAL IS RIGID PVC  
 BEND TOLERANCE IS ±2°  
 "B" TOLERANCE IS -1/8", +1/2"



**CANTEX**  
 INC.  
 Fort Worth, TEXAS

45° Elbows Bell End  
 Schedule 40 Standard Radius Elbows

Drawn By: CD Branch

Date: 10/15/07

Ref.