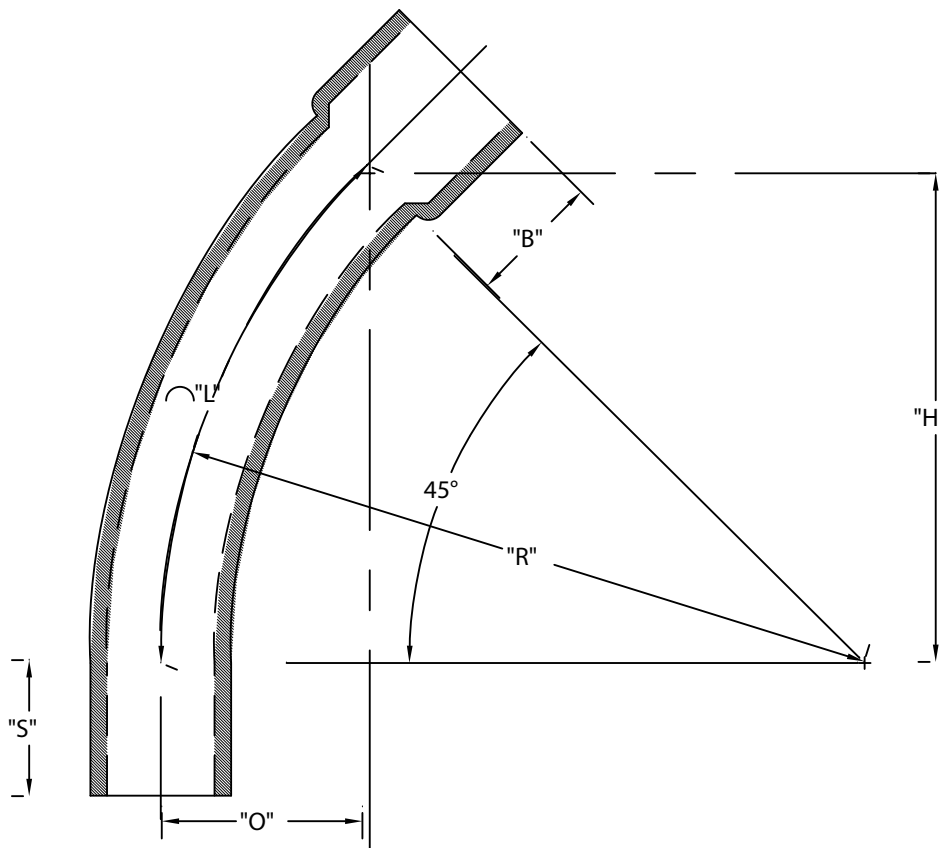


PART NUMBER	SIZE	"R"	"O"	"H"	"S" MIN	"B" MIN	"L"
5221006	1 ¼ "	7 ¼ "	2 ⅛ "	5 ⅛ "	2"	1 ½"	5 ⅛ "
5221007	1 ½ "	8 ¼ "	2 ⅞ "	5 ⅜ "	2"	2"	6 ½ "
5221008	2"	9 ½ "	2 ⅞ "	6 ¾ "	2"	2"	7 ½ "
5221009	2 ½ "	10 ½ "	3 ⅛ "	7 ⅞ "	3"	2 ¼"	8 ¼ "
5221010	3"	13"	3 ⅜ "	9 ⅜ "	3 ⅛ "	2 ½"	10 ⅜ "
5221011	4"	16"	4 ⅜ "	11 ⅜ "	3 ⅜ "	3 ¼"	12 ⅜ "
5221012	5"	24"	7"	17"	3 ⅝ "	4 ¼"	18 ⅞ "
5221013	6"	30"	8 ⅞ "	21 ¼ "	3 ¾ "	5"	23 ⅞ "



ETL LISTED
 CONFORMS TO UL651
 ETL CONTROL #3107144
 CONFORMS TO NEMA TC3
 SEE NEC ARTICLE 352 FOR USE
 MATERIAL IS RIGID PVC
 BEND TOLERANCE IS ±2°
 "B" TOLERANCE IS -1/8", +1/2"



CANTEX
 INC.
 Fort Worth, TEXAS

45° Elbows Bell End
 Schedule 80 Standard Radius Elbows

Drawn By: CD Branch

Date: 10/15/07

Ref.