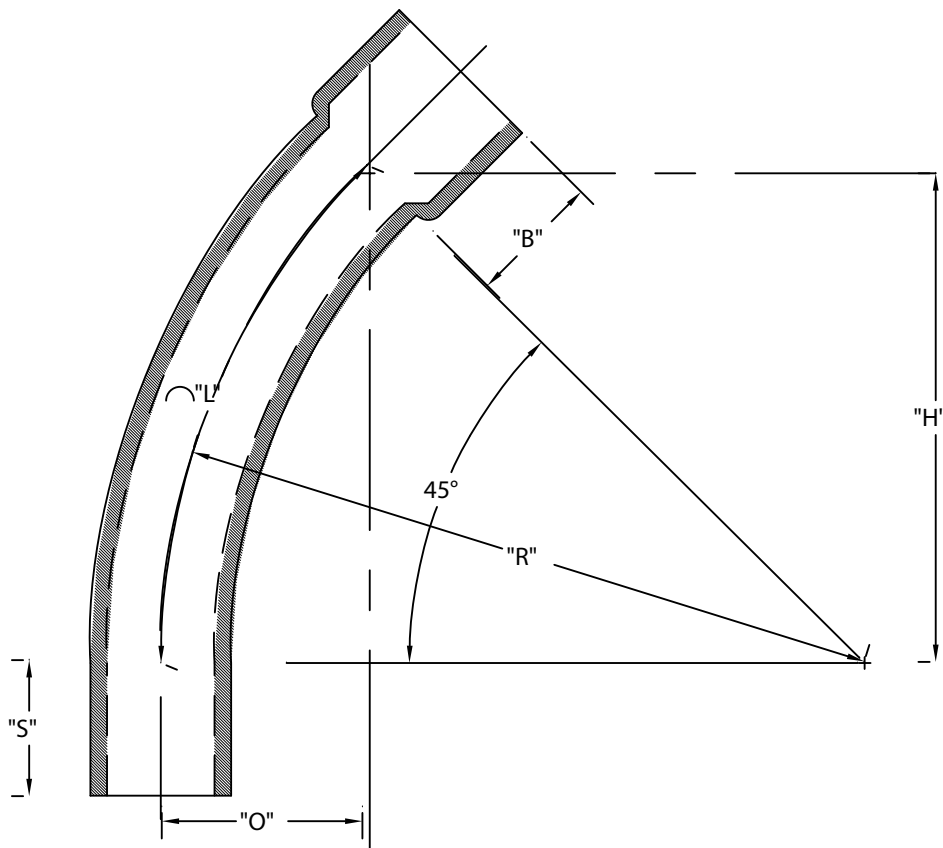


| PART NUMBER | SIZE  | "R"    | "O"   | "H"    | "S" MIN | "B" MIN | "L"    |
|-------------|-------|--------|-------|--------|---------|---------|--------|
| 5221006     | 1 ¼ " | 7 ¼ "  | 2 ⅛ " | 5 ⅛ "  | 2"      | 1 ½"    | 5 ⅛ "  |
| 5221007     | 1 ½ " | 8 ¼ "  | 2 ⅞ " | 5 ⅜ "  | 2"      | 2"      | 6 ½ "  |
| 5221008     | 2"    | 9 ½ "  | 2 ⅞ " | 6 ¾ "  | 2"      | 2"      | 7 ½ "  |
| 5221009     | 2 ½ " | 10 ½ " | 3 ⅛ " | 7 ⅞ "  | 3"      | 2 ¼"    | 8 ¼ "  |
| 5221010     | 3"    | 13"    | 3 ⅜ " | 9 ⅜ "  | 3 ⅛ "   | 2 ½"    | 10 ⅜ " |
| 5221011     | 4"    | 16"    | 4 ⅜ " | 11 ⅜ " | 3 ⅜ "   | 3 ¼"    | 12 ⅜ " |
| 5221012     | 5"    | 24"    | 7"    | 17"    | 3 ⅝ "   | 4 ¼"    | 18 ⅞ " |
| 5221013     | 6"    | 30"    | 8 ⅞ " | 21 ¼ " | 3 ¾ "   | 5"      | 23 ⅞ " |



ETL LISTED  
 CONFORMS TO UL651  
 ETL CONTROL #3107144  
 CONFORMS TO NEMA TC3  
 SEE NEC ARTICLE 352 FOR USE  
 MATERIAL IS RIGID PVC  
 BEND TOLERANCE IS ±2°  
 "B" TOLERANCE IS -1/8", +1/2"



**CANTEX**  
 INC.  
 Fort Worth, TEXAS

45° Elbows Bell End  
 Schedule 80 Standard Radius Elbows

Drawn By: CD Branch

Date: 10/15/07

Ref.