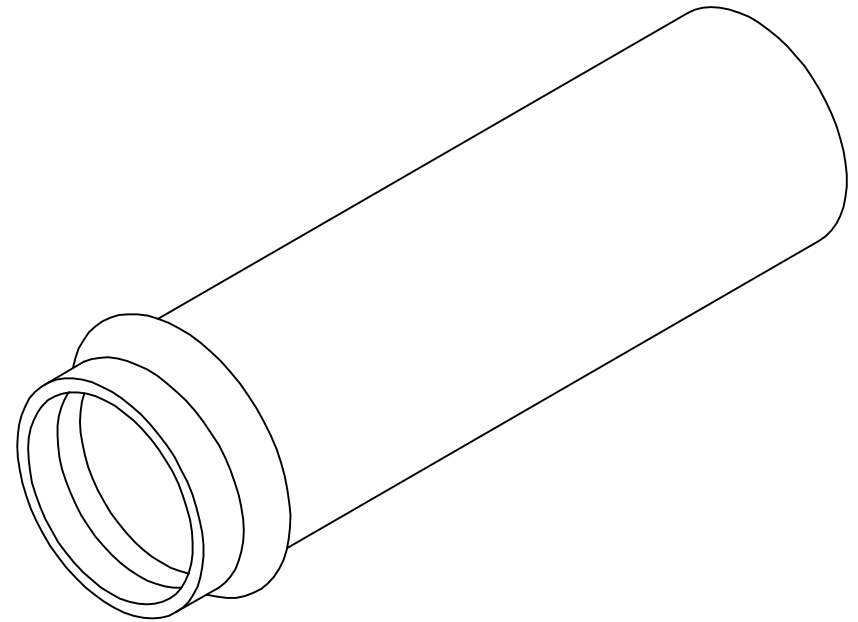
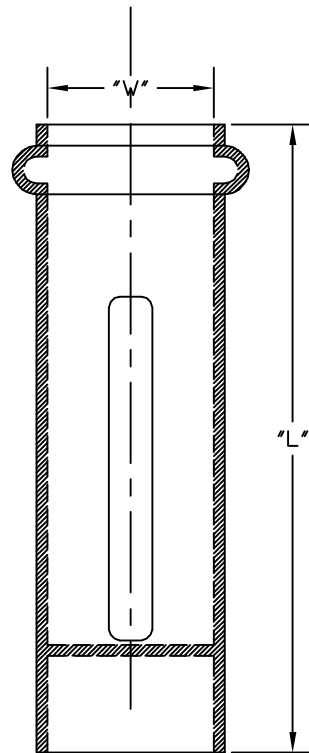


PART NUMBER	SIZE	"W"	"L"	Travel Length
5144026	½"	1"	5 13/16"	4"
5144015	¾"	1 5/16"	6 3/8"	4"
5144016	1"	1 9/16"	6 3/4"	5"
5144017	1 ¼"	2"	7 ¼"	5"
5144018	1 ½"	2 3/16"	7 7/16"	5"
5144019	2"	2 11/16"	8 7/16"	6"
5144020	2 ½"	3 3/16"	8 7/8"	6"
5144021	3"	4"	9 ¼"	6"
5144023	4"	5"	10"	7"

Not a Listed product  
 One "O" Ring seal  
 Material is PVC  
 See NEC Article 352.44 for use



<b>CANTEX</b> INC. Fort Worth, TEXAS		
<b>Expansion Couplings One Piece Schedule 40 &amp; 80 Special Fittings</b>		
Drawn By: CD Branch	Date: 09/12/07	Ref.