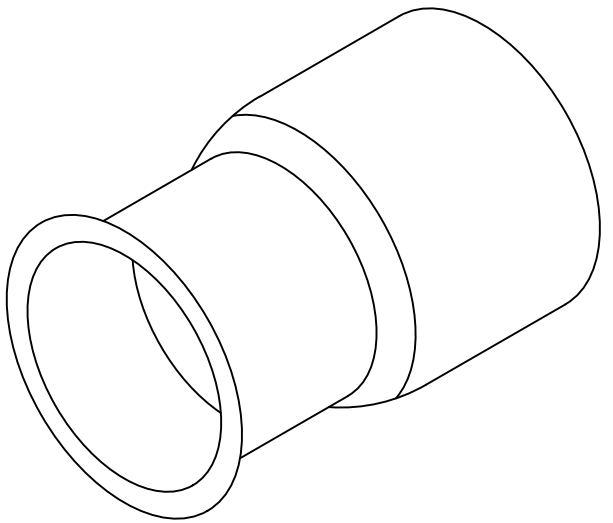
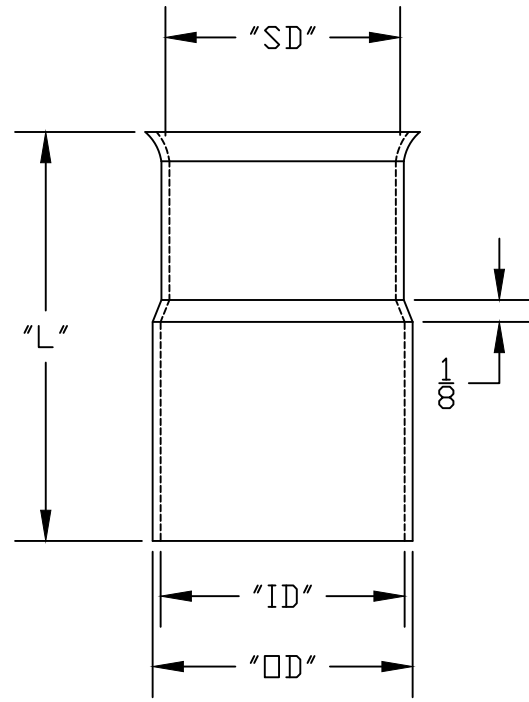


PART NUMBER	SIZE	"L"	"ID"	"OD"	"SD"
5143980	2"	6"	2.390"	2.750"	3.000"
5143982	3"	6 1/8"	3.500"	3.980"	4.360"
5143984	4"	5.750"	4.500"	5.125"	5.250"
5143986D	6"	7"	6.625"	7.313"	8.125"
5143987D	8"	9 7/8"	8 1/16"	9 1/4"	8.75"



Fabricated Part Dimensions are nominal.



NEMA TC-2 COMPLIANT

**CANTEX**  
INC.  
Fort Worth, TEXAS

**Sch. 40 End Bells (Fabricated)**

MATERIAL - PVC  
ALL DIMENSIONS IN INCHES

TOLERANCES
± 1/16

Drawn By: CD Branch	Date:03/11/18	Ref.
---------------------	---------------	------