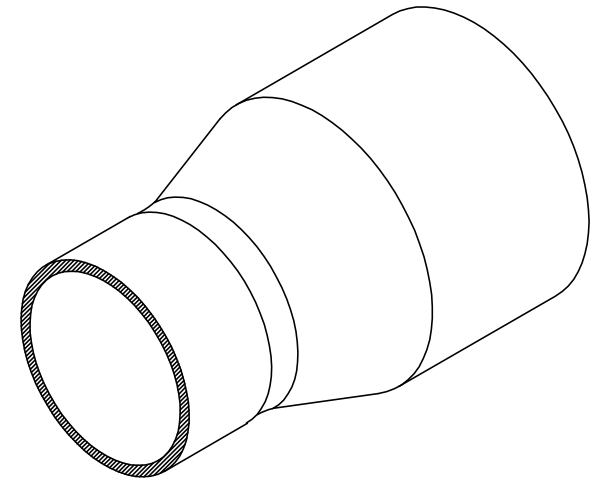
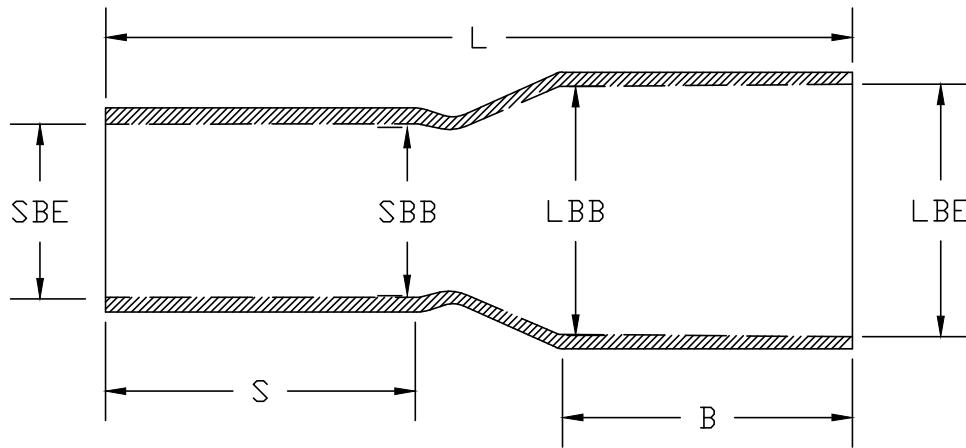


PART NUMBER	SIZE	"L"	"S"	"B"	"SBE"	"SBB"	"LBB"	"LBE"
5142100	2" x 1 1/4"	4 1/8"	1 1/4"	1 1/2"	1.667"	1.655"	2.369"	2.381"
5142259	3" x 2 1/2"	6 1/8"	2 1/2"	1 3/4"	2.890"	2.868"	3.492"	3.515"



Not A Listed Product
 Linear dimensions are $\pm 1/4"$ UOS
 Conforms to NEMA TC 3

CANTEX INC. Fort Worth, TEXAS		
Bell to Bell Fabricated Reducer SCHEDULE 40		
Drawn by: D. Gwinn	Date: 11/18/18	Ref. 5142100