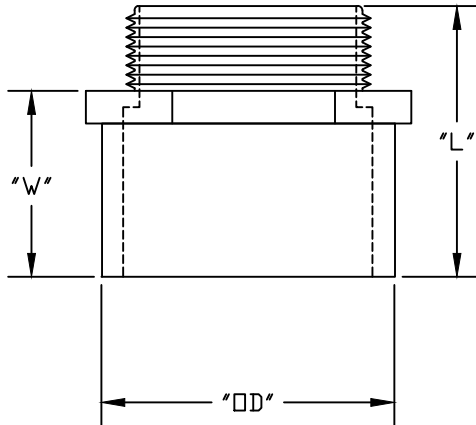
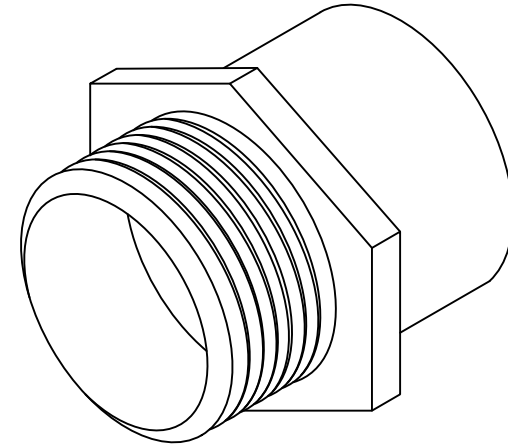


PART NUMBER	TRADE SIZE	"L"	"OD"	"W"
5140105	1	2 3/16"	1 5/8"	1 1/2"
5140106	1 1/4	2 1/8"	2"	1 5/16"
5140107	1 1/2	2 1/16"	2"	1 5/16"



UL Listed UL651
 UL File # E81590
 UL Category Code DWTT
 UL Control Number 93G7
 Meets NEMA TC3 Requirements
 See NEC Article 352 for use
 Material is Rigid PVC



CANTEX
 INC.
 Fort Worth, TEXAS

Terminal Adapters 1" Thru 1-1/2"
Schedule 40 & 80 Fittings

Drawn By: D. Gwinn

Date: 1/14/20

Ref. 5140105