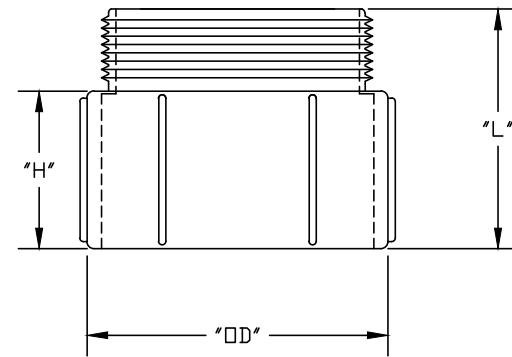
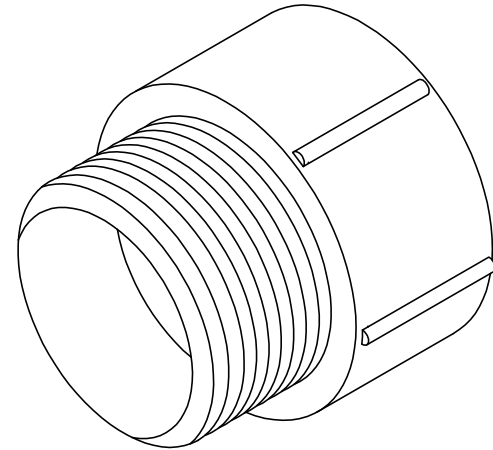


PART NUMBER	TRADE SIZE	"L"	"H"	"OD"
5140103	1/2	1.308"	0.74"	1.075"
5140104	3/4	1.44"	.875"	1.28"



UL Listed UL 651
 UL File # E81590
 UL Category Code DWTT
 Meets NEMA TC3 Requirements
 CSA Certified
 See NEC Article 352 for use
 Material is Rigid PVC
 All Dimensions are nominal



CANTEX
INC.

Fort Worth, TEXAS

**Terminal Adapters 1/2" & 3/4"
Schedule 40 & 80 Fittings**

Drawn By: D. Gwinn

Date: 10/24/18

Ref. 5140103