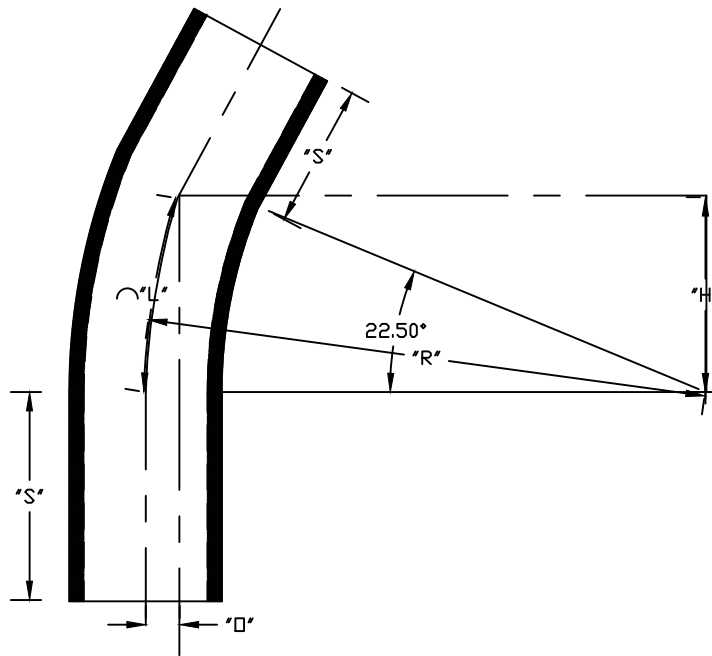


PART NUMBER	SIZE	"R"	"D"	"H"	"S" MIN	"B" MIN	"L"
5136649	1 1/2"	8 1/4"	5/8"	3 1/8"	2"	N/A	3 1/4"
5136659	2"	9 1/2"	3/4"	3 5/8"	2"	N/A	3 3/4"
5136669	2 1/2"	10 1/2"	13/16"	4"	3"	N/A	4 1/8"
5136679	3"	13"	1"	5"	3 1/8"	N/A	5 1/8"
5121868	4"	16"	1 1/4"	6 1/8"	3 3/8"	N/A	6 1/4"
5121125	5"	24"	1 13/16"	9 3/16"	3 5/8"	N/A	9 3/8"



ETL LISTED
 CONFORMS TO UL651
 ETL CONTROL #3107144
 CONFORMS TO NEMA TC3
 SEE NEC ARTICLE 352 FOR USE
 MATERIAL IS RIGID PVC
 BEND TOLERANCE IS $\pm 2^\circ$

Dimensions are nominal



CANTEX
 INC.
 Fort Worth, TEXAS

22-1/2° Elbows Plain End
 Schedule 80 Standard Radius Elbows

Drawn By: O.M.

Date: 8/7/17

Ref. 5136649