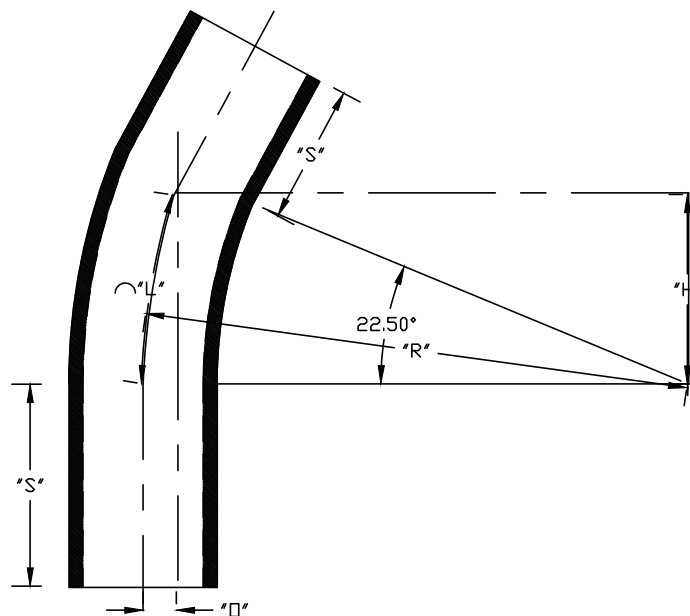


PART NUMBER	SIZE	"R"	"O"	"H"	"S" MIN	"B" MIN	"L"
5136630	1"	18"	1 3/8"	6 7/8"	1 7/8"	N/A	7 1/16"
5136640	1 1/4"	18"	1 3/8"	6 7/8"	2"	N/A	7 1/16"
5136650	1 1/2"	18"	1 3/8"	6 7/8"	2"	N/A	7 1/16"
5136660	2"	18"	1 3/8"	6 7/8"	2"	N/A	7 1/16"
5136670	2 1/2"	18"	1 3/8"	6 7/8"	3"	N/A	7 1/16"
5136680	3"	18"	1 3/8"	6 7/8"	3 1/8"	N/A	7 1/16"



ETL LISTED
 CONFORMS TO UL651
 ETL CONTROL #3107144
 CONFORMS TO NEMA TC3
 SEE NEC ARTICLE 352 FOR USE
 MATERIAL IS RIGID PVC
 BEND TOLERANCE IS $\pm 2^\circ$



CANTEX

INC.
Fort Worth, TEXAS

22-1/2° Elbows Plain End
Schedule 80 18" Radius Elbows

Drawn By: D. Gwinn

Date: 2/21/19

Ref. 5136630